

JVC

SERVICE MANUAL

AV SELECTOR

JX-S555 (J)



Contents

Safety Precautions	2	Adjustments	11
Main Parts Locations	3	Position of ICs and Adjustment Points	12
Disassembly of Parts	4	Servicing Guidelines	13
Connection Diagram	6	Block View Inside IC	17
Circuit Description	7		

Design and specifications are subject to change without notice.

Safety Precautions

1. This design of this product contains special hardware and many circuits and components specially for safety purposes. For continued protection, no changes should be made to the original design unless authorized in writing by the manufacturer. Replacement parts must be identical to those used in the original circuits. Services should be performed by qualified personnel only.
2. Alterations of the design or circuitry of the product should not be made. Any design alterations of the product should not be made. Any design alterations or additions will void the manufacturer's warranty and will further relieve the manufacture of responsibility for personal injury or property damage resulting therefrom.
3. Many electrical and mechanical parts in the products have special safety-related characteristics. These characteristics are often not evident from visual inspection nor can the protection afforded by them necessarily be obtained by using replacement components rated for higher voltage, wattage, etc. Replacement parts which have these special safety characteristics are identified in the Parts List of Service Manual. Electrical components having such features are identified by shading on the schematics and by (\triangle) on the Parts List in the Service Manual. The use of a substitute replacement which does not have the same safety characteristics as the recommended replacement parts shown in the Parts List of Service Manual may create shock, fire, or other hazards.
4. The leads in the products are routed and dressed with ties, clamps, tubings, barriers and the like to be separated from live parts, high temperature parts, moving parts and/or sharp edges for the prevention of electric shock and fire hazard. When service is required, the original lead routing and dress should be observed, and it should be confirmed that they have been returned to normal, after re-assembling.
5. Leakage current check (Electrical shock hazard testing)
After re-assembling the product, always perform an isolation check on the exposed metal parts of the product (antenna terminals, knobs, metal cabinet, screw heads, headphone jack, control shafts, etc.) to be sure the product is safe to operate without danger of electrical shock. Do not use a line isolation transformer during this check.

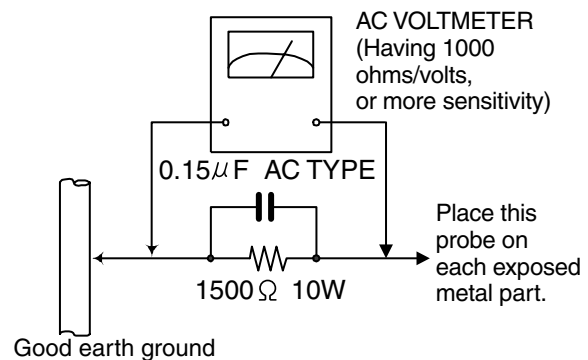
- Plug the AC line cord directly into the AC outlet. Using a "Leakage Current Tester", measure the leakage current from each exposed metal parts of the cabinet, particularly any exposed metal part having a return path to the chassis, to a known good earth ground. Any leakage current must not exceed 0.5mA AC (r.m.s.)

- Alternate check method

Plug the AC line cord directly into the AC outlet. Use an AC voltmeter having, 1,000 ohms per volt or more sensitivity in the following manner. Connect a 1,500 Ω 10W resistor paralleled by a 0.15 μ F AC-type capacitor between an exposed metal part and a known good earth ground.

Measure the AC voltage across the resistor with the AC voltmeter.

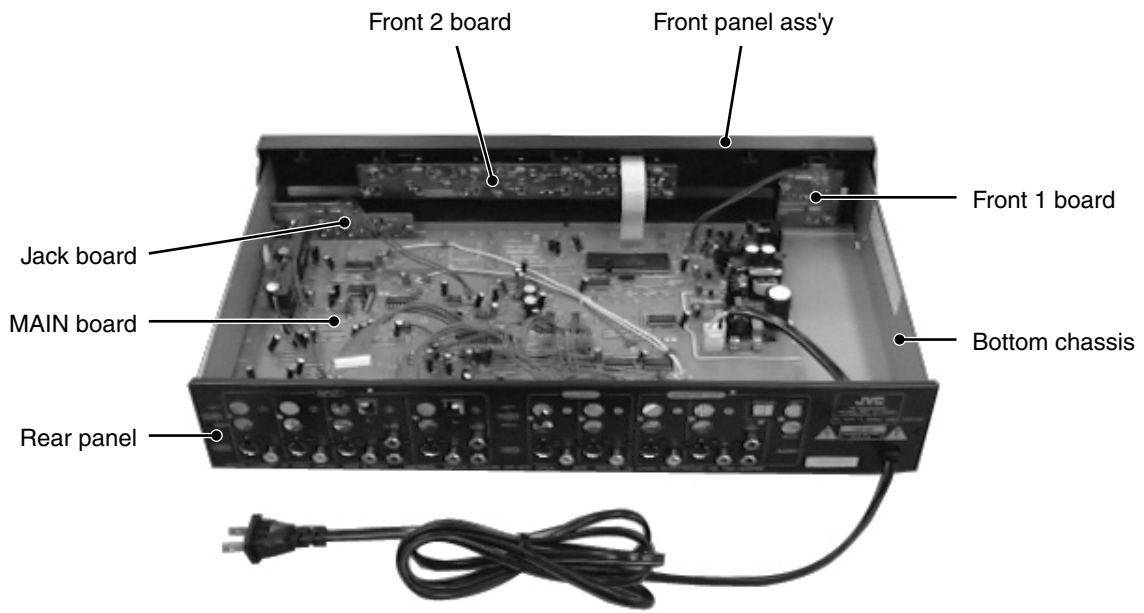
Move the resistor connection to each exposed metal part, particularly any exposed metal part having a return path to the chassis, and measure the AC voltage across the resistor. Now, reverse the plug in the AC outlet and repeat each measurement. voltage measured Any must not exceed 0.75 V AC (r.m.s.). This corresponds to 0.5 mA AC (r.m.s.).



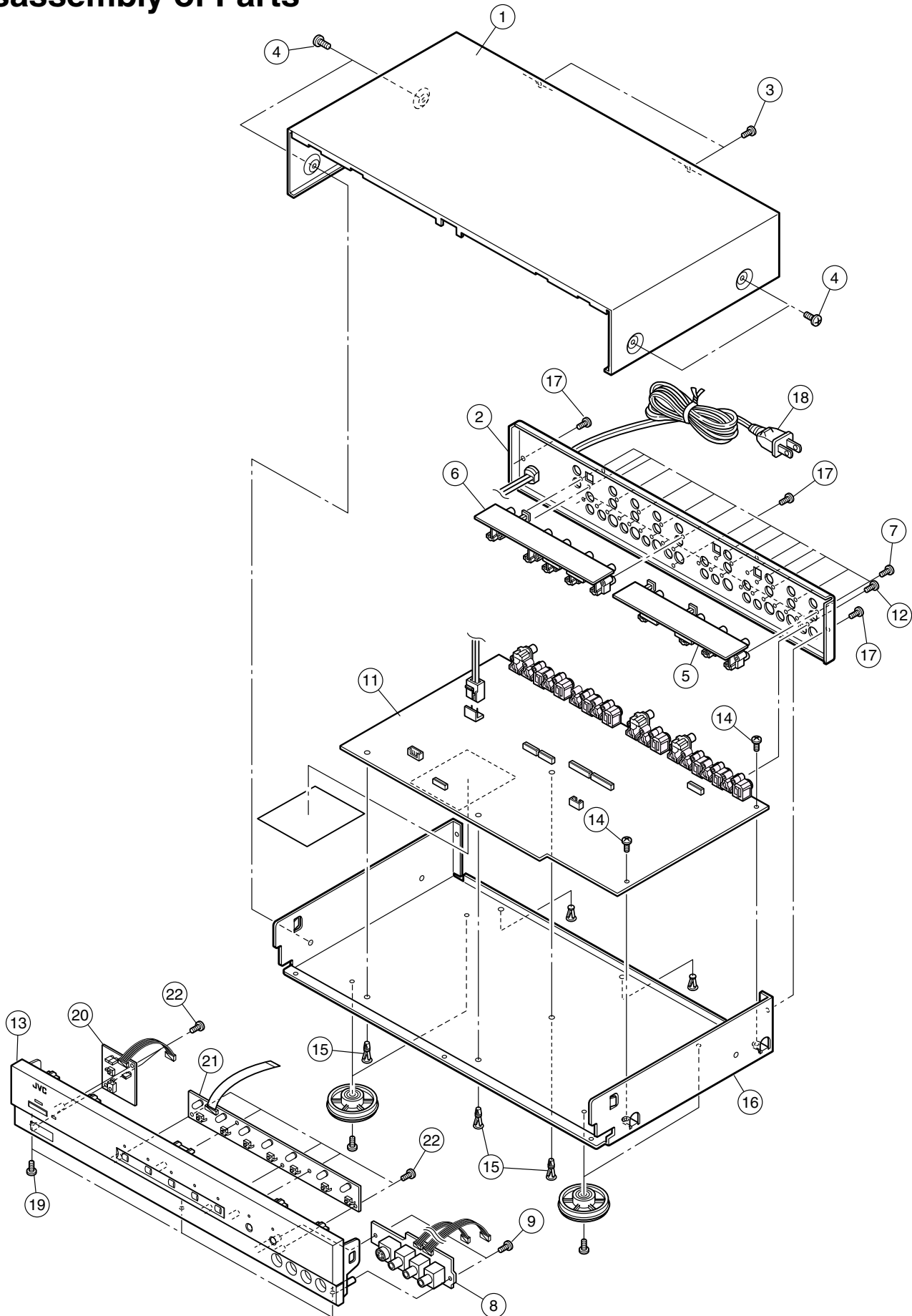
Warning

1. This equipment has been designed and manufactured to meet international safety standards.
2. It is the legal responsibility of the repairer to ensure that these safety standards are maintained.
3. Repairs must be made in accordance with the relevant safety standards.
4. It is essential that safety critical components are replaced by approved parts.
5. If mains voltage selector is provided, check setting for local voltage.

Main Parts Locations



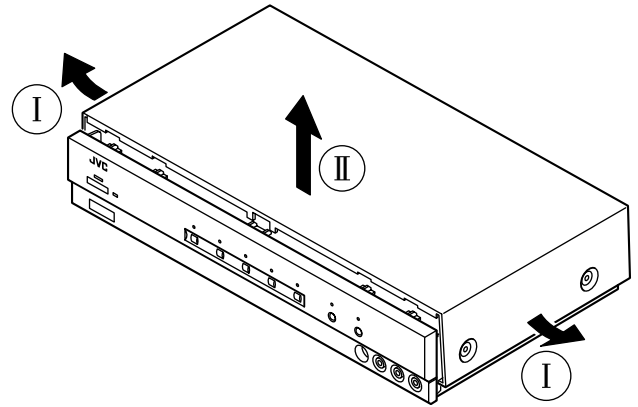
Disassembly of Parts



Note : For the positions of the connectors, see the connection diagram (page 6).

■ Removing the top cover ①

1. Remove the two screws ③ retaining the top cover ① from the rear panel ② , then remove the four screws ④ retaining the top cover from the side panels.
2. Slightly open out the bottoms of the side skirts ① of the top cover ① as shown in the figure, then pull the top cover straight upward ②. Do not remove the top cover by pulling it up in an oblique direction.



■ Removing the Audio 1 Board ⑤ and Audio 2 Board ⑥

1. Remove the top cover ① .
2. From the rear panel ② , remove the six screws ⑦ retaining the Audio 1 board ⑤ and the six screws ⑦ retaining the Audio 2 board ⑥ .
3. Gently remove the Audio 1 board ⑤ and then unplug the connectors CN809 and CN810 from it.
4. Gently remove the Audio 2 board ⑥ and then unplug the connectors CN807 and CN808 from it.

■ Removing the Main Board ⑪

1. Remove the top cover ① , then the Audio 1 board ⑤ and finally the Audio 2 board ⑥ .
2. From the rear panel ② , remove the nineteen screws ⑫ retaining the Main board ⑪ .
3. Unplug the connectors CN1, CN3, CN804 and CN811 (and the wire from the Front Panel Assembly ⑬) on the Main board ⑪ .
4. Unplug the connector CN901 (in the power supply circuit) on the Main board ⑪ .
5. Remove the two clamping screws ⑭ on the Main board ⑪ .
6. Disengage the three claws of the locking card spacer ⑮ on the Main board ⑪ , then remove the Main board by lifting it in an oblique direction.

■ Removing the Rear Panel ②

1. Remove the top cover ① .
2. Unplug the connector CN901 (in the power supply circuit) on the Main board ⑪ .
3. Remove the twelve screws ⑦ retaining the Audio 1 board ⑤ and the Audio 2 board ⑥ , then remove the nineteen screws ⑫ retaining the Main board ⑪ .
4. Remove the three screws ⑰ retaining the bottom chassis ⑯ and the rear panel ② .
5. Gently remove the rear panel ② .
(Take care of the AC power cord ⑱ connected to the rear panel ② .)

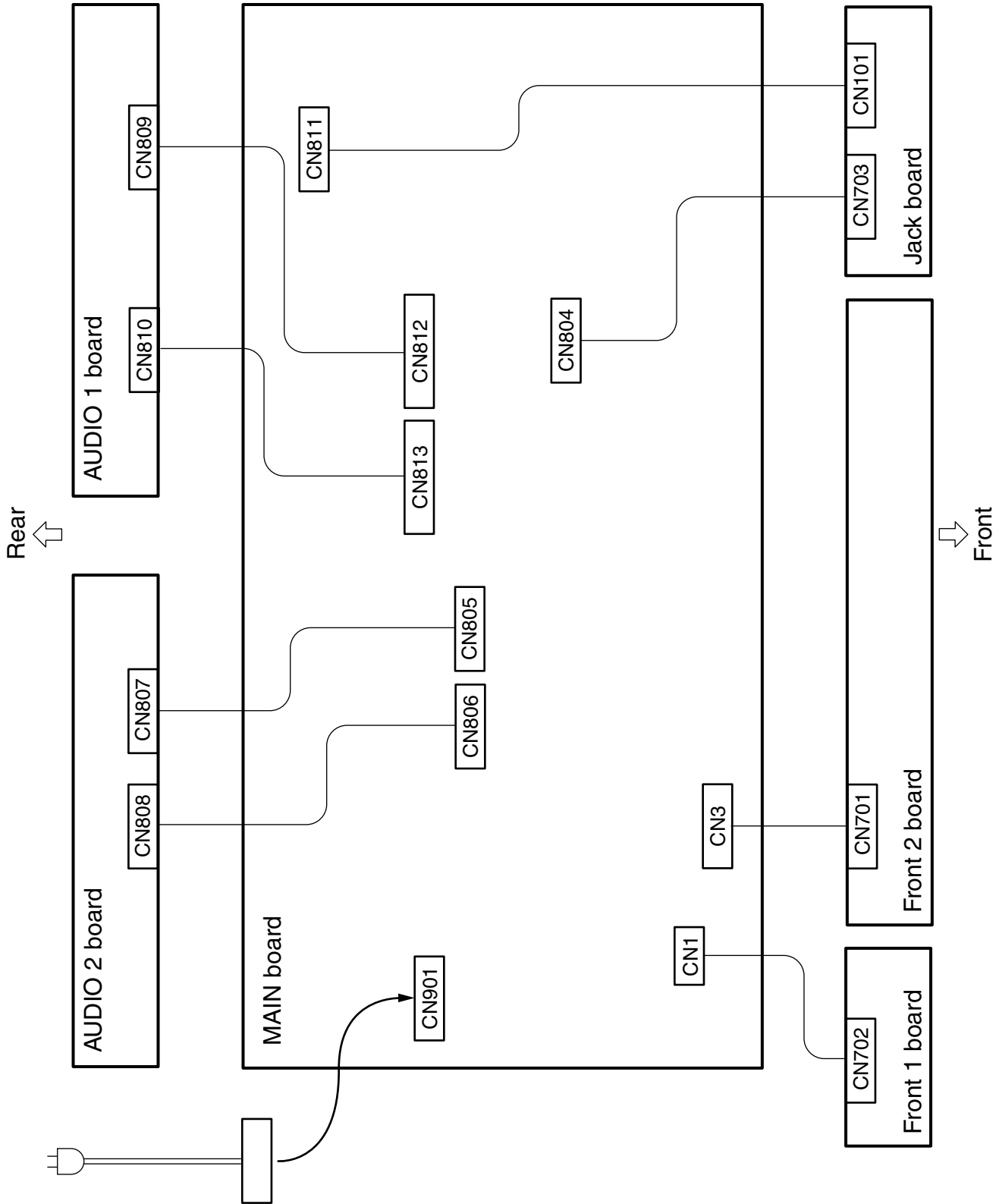
■ Removing the Front Panel Assembly ⑬

1. Remove the top cover ① .
2. Remove the three retaining screws ⑲ from the bottom of the Front Panel Assembly ⑬ .
3. Disengage the fittings between the side panels of the Front Panel Assembly ⑬ with the bottom chassis ⑯ , then gently pull out the Front Panel Assembly ⑬ from the bottom chassis ⑯ toward the front.
4. Unplug the connectors CN1, CN3, CN804 and CN811 from the Main board ⑪ .
5. Remove the Front Panel Assembly ⑬ .

■ Removing the Front 1 Board ⑳ , Front 2 Board ㉑ and Jack Board ㉒

1. Remove the top cover ① and the Front Panel Assembly ⑬ .
2. Remove the two screws ㉒ retaining the Front 1 board ㉑ , five screws ㉒ retaining the Front 2 board ㉑ and the two screws ⑨ retaining the Jack board ⑧ .
3. Remove the Front 1 board ㉑ , the Front 2 board ㉑ and the Jack board ⑧ .

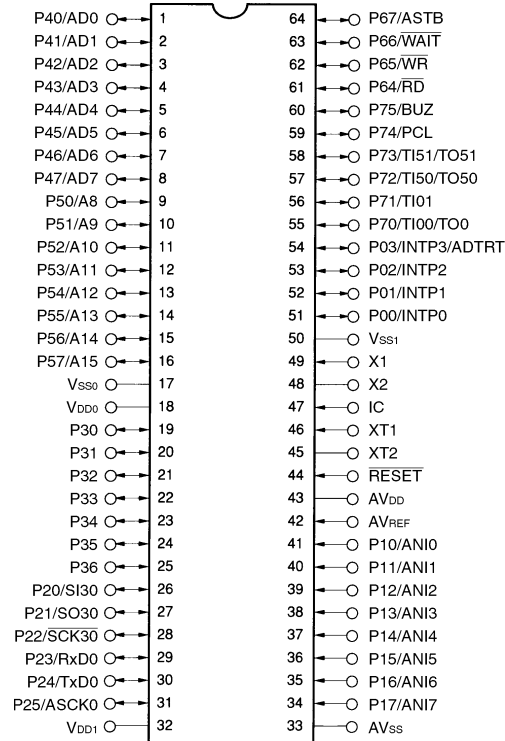
Connection Diagram



Circuit Description

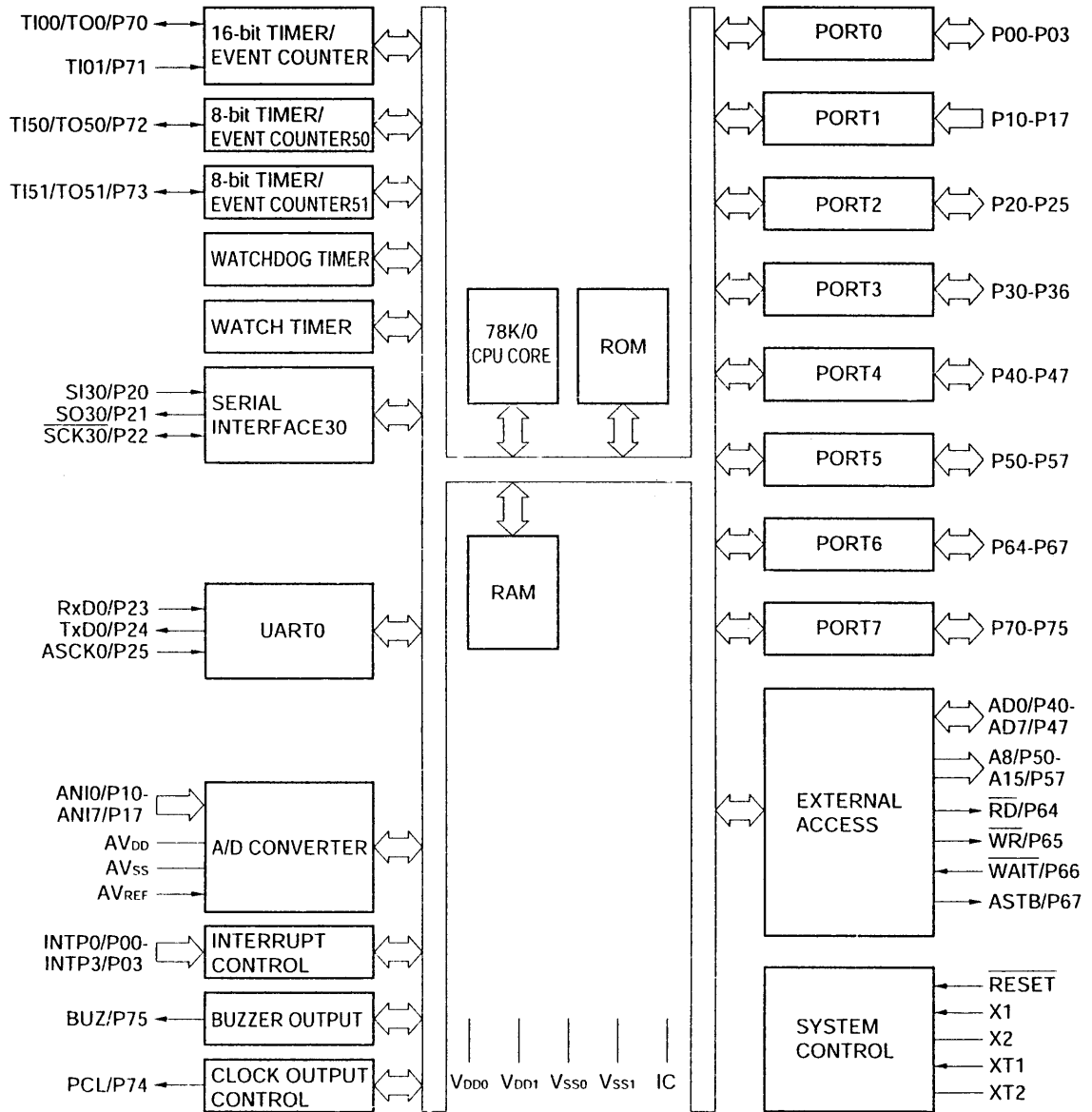
1. IC2 (μPD780021ACWW01)

The μPD780021ACWW01 is a 64-pin, 8-bit single-chip microcomputer with an 8K-byte ROM and 512-byte RAM.



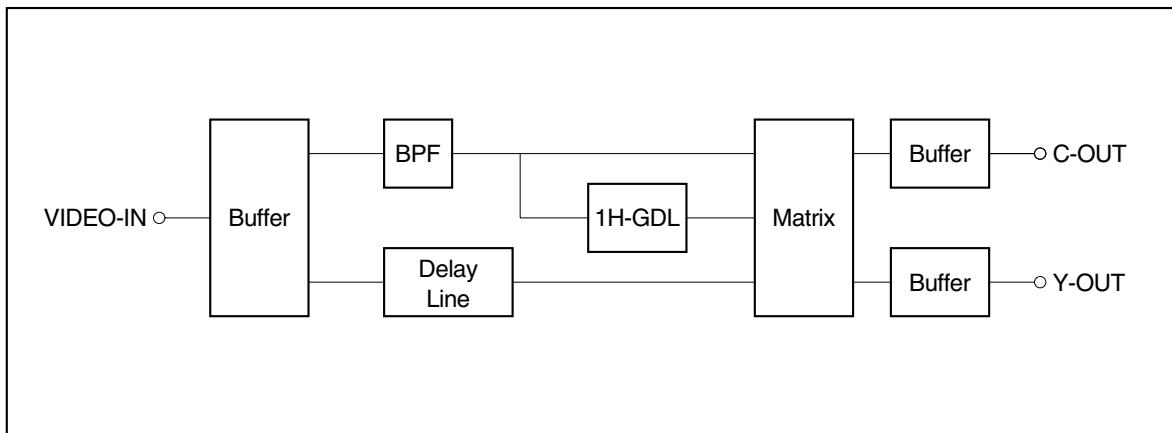
Pin Name	Pin No.	I/O	Function
P40/AD0	1	I/O	Key scan inputs.
P41/AD1	2	I/O	
P42/AD2	3	I/O	
P43/AD3	4	I/O	Key scan outputs.
P44/AD4	5	I/O	
P45/AD5	6	I/O	
P46/AD6	7	I/O	Scan signal outputs for LED lighting.
P47/AD7	8	I/O	Scan signal outputs for LED lighting.
P50/A8	9	I/O	
P51/A9	10	I/O	
P52/A10	11	I/O	CH1 INHIBIT ON/OFF. H = ON. L = OFF.
P53/A11	12	I/O	
P54/A12	13	I/O	Not used.
P55/A13	14	I/O	Not used.
P56/A14	15	I/O	Not used.
P57/A15	16	I/O	Not used.
Vss0	17	—	Port grounding potential.
VDD0	18	I	Port positive potential.
P30	19	I/O	CH2 INHIBIT ON/OFF. H = ON. L = OFF.
P31	20	I/O	CH3 INHIBIT ON/OFF. H = ON. L = OFF.

Pin Name	Pin No.	I/O	Function
P32	21	I/O	I ² C path Data signal.
P33	22	I/O	I ² C path Clock signal
P34	23	I/O	Not used.
P35	24	I/O	Not used.
P36	25	I/O	Not used.
P20/SI30	26	I/O	Not used.
P21/SO30	27	I/O	Not used.
P22/ $\overline{\text{SCK30}}$	28	I/O	Not used.
P23/RxD0	29	I/O	Not used.
P24/TxD0	30	I/O	Not used.
P25/ASCK0	31	I/O	Not used.
V _{DD1}	32	I	Positive potential (except for the port).
AV _{SS}	33	—	AD converter grounding potential.
P17/AN17	34	I	Not used.
P16/AN16	35	I	Not used.
P15/AN15	36	I	Not used.
P14/AN14	37	I	Not used.
P13/AN13	38	I	Not used.
P12/AN12	39	I	Not used.
P11/AN11	40	I	CH5 S1/S2 signal input.
P10/AN10	41	I	Not used.
AV _{REF}	42	I	A/D converter reference voltage input.
AV _{DD}	43	I	Analog power supply for A/D converter
$\overline{\text{RESET}}$	44	I	System reset input.
XT2	45	—	Sub-system clock oscillation.
XT1	46	I	
IC	47	—	Internally connected. To be connected to VSS0 or VSS1.
X2	48	—	X'tal oscillator connection terminals for Main system clock oscillation.
X1	49	I	
V _{SS1}	50	I	Grounding potential (except for the port).
P00/INTP0	51	I/O	CH3 D4 plug insertion detection.
P01/INTP1	52	I/O	CH4 D4 plug insertion detection.
P02/INTP2	53	I/O	CH5 D4 plug insertion detection.
P03/INTP3/ADTRT	54	I/O	Not used.
P70/TI00/TO0	55	I/O	Remote control light signal input.
P71/TI01	56	I/O	Component video switching signal output.
P72/TI50/TO50	57	I/O	Component video switching signal output.
P73/TI51/TO51	58	I/O	Main unit ON/OFF. H = OFF. L = ON.
P74/PCL	59	I/O	S1/S2 signal inputs.
P75/BUZ	60	I/O	
P64/ $\overline{\text{RD}}$	61	I/O	Component video switching signal output.
P65/ $\overline{\text{WR}}$	62	I/O	CH5 monitor signal output.
P66/ $\overline{\text{WAIT}}$	63	I/O	Main unit ON/OFF. H = OFF. L = ON.
P67/ASTB	64	I/O	Power switch detection.



2. M101, M102 (J46729-002)

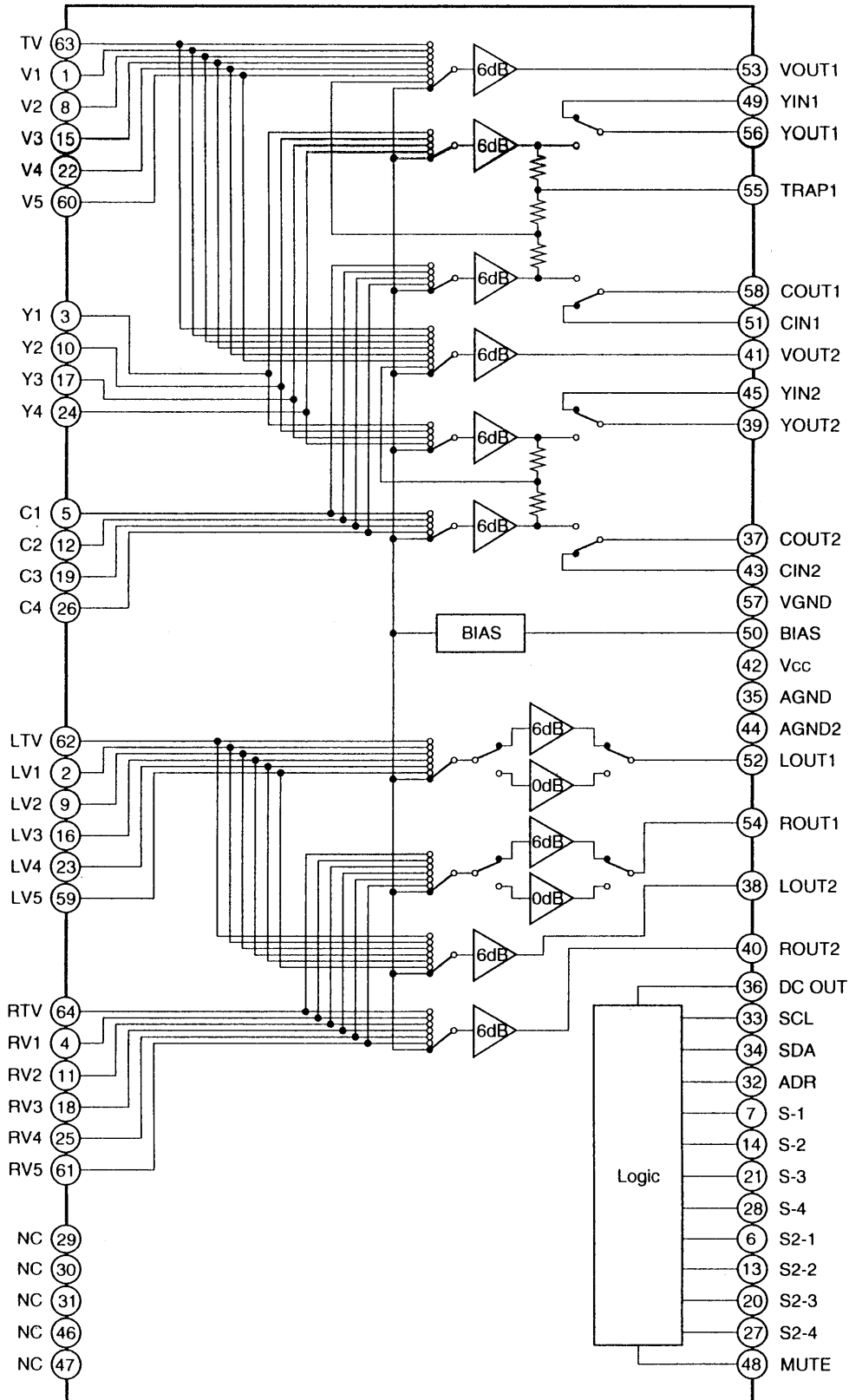
- Comb filter module



3. IC101 (CXA2079Q)

The CXA2079Q is an AV switcher IC with 5 video inputs, 2 video outputs, 5 stereo audio inputs and 2 stereo audio outputs, featuring the I²C bus compatibility for TV. Among the 5 video inputs, 4 inputs are compatible with the S2 and S-Video standards.

The outputs (each audio output uses a pair of lines for the L and R channels) can be selected independently by the control through the I²C bus. However, the second video and audio outputs are always based on the same video and audio input system.



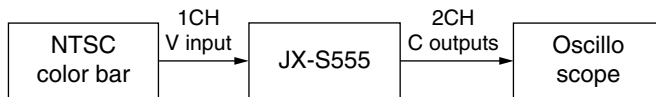
Adjustments

■ Instruments required for adjustments

1. Oscilloscope
2. TV signal generator (NTSC)

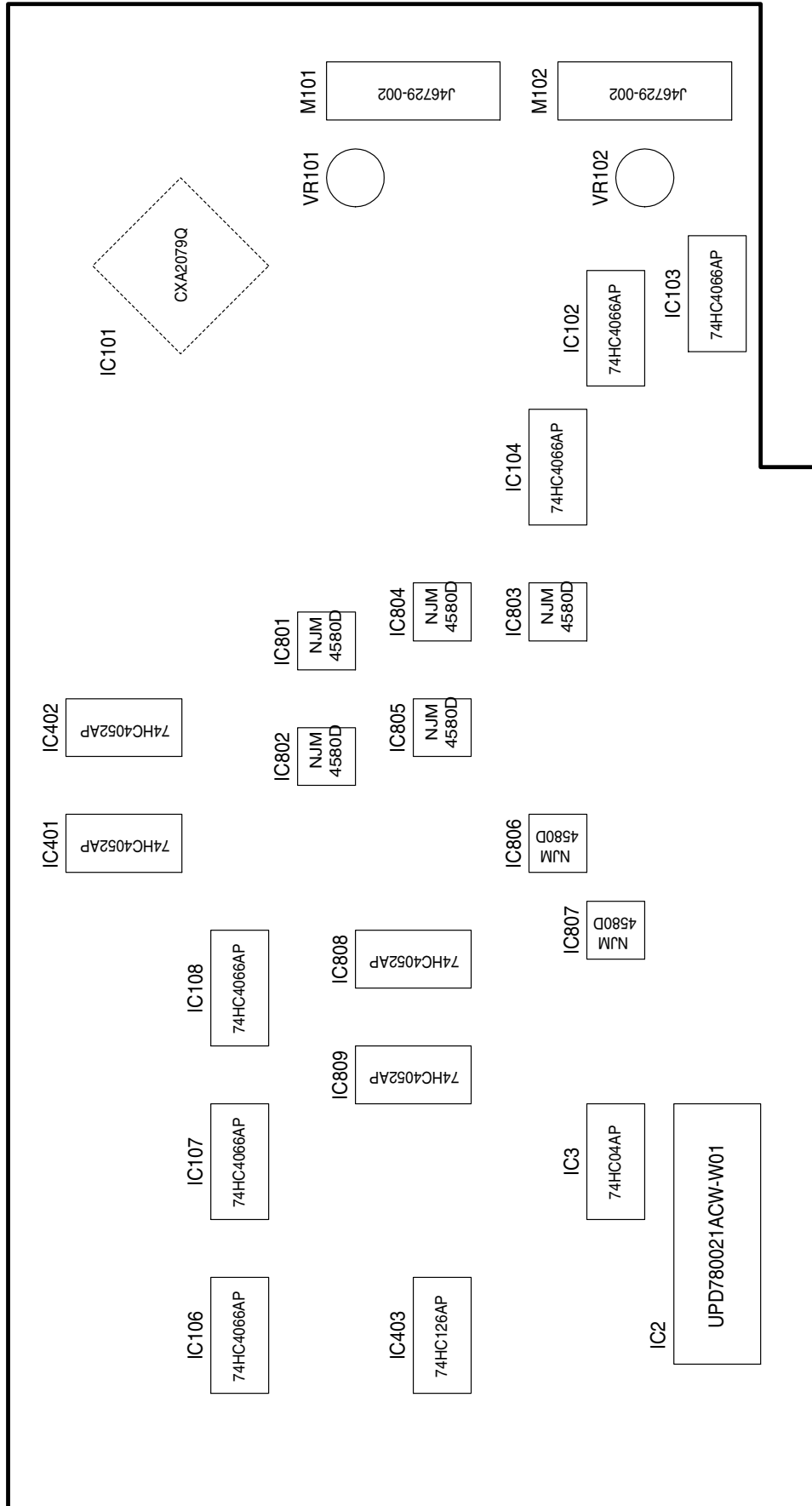
	Test Point	Adjustment Point	Name	Condition	Condition
1	2CH C output	VR101	C output level	Apply color bar signal to 1CH video input (V).	Adjust VR101 so that the C output level at 2CH is 0.642 ± 0.02 Vp-p.
2	MONITOR OUT C output	VR102	C output level	Apply color bar signal to 1CH video input (V).	Adjust VR102 so that the C output level at MONITOR OUT is 0.642 ± 0.02 Vp-p.

■ Connection



Position of ICs and Adjustment Points

■ MAIN board



Servicing Guidelines

1. Reference input signals

Video signals

V → Full-field color bar (white 100%), 1.0 Vp-p

Y → 1.0 Vp-p (with sync)

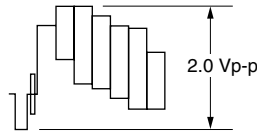
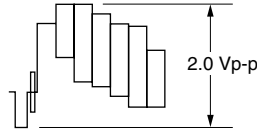
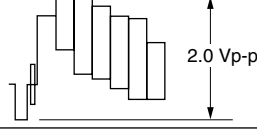
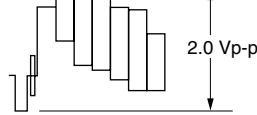
C → Burst level 0.286 Vp-p, chroma only

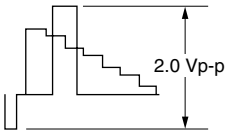
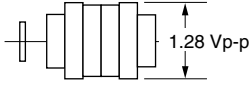
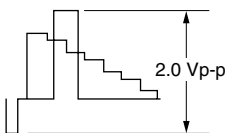

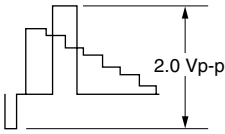
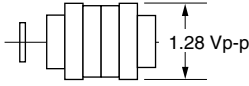
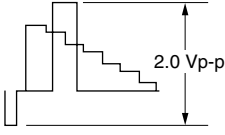
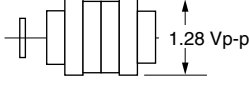
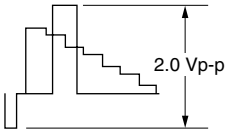
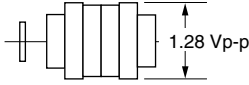
Audio signal

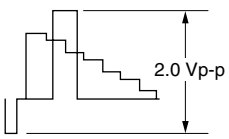
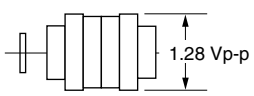
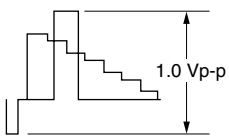
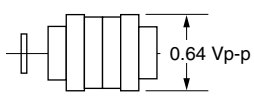
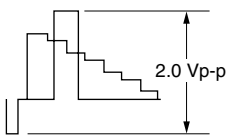
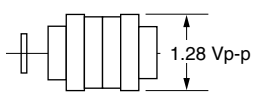
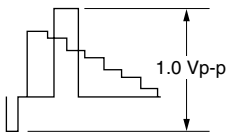
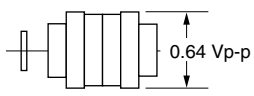
1 kHz, -10 dBV sine wave

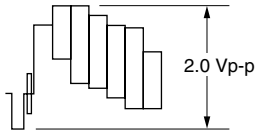
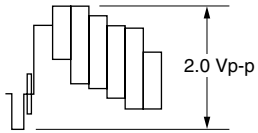
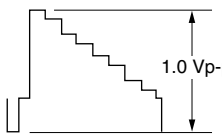
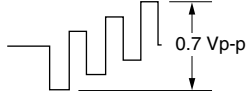
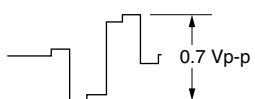
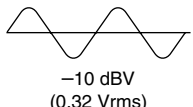
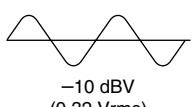
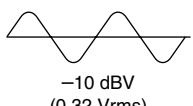
2. YES → Normal

NO → The normal voltage and waveform are not output.

Symptom	Check Points	Normal Voltage/Waveform	Check Results and Failures
1. Power cannot be turned ON.	① C903: Across +/- leads	Approx. 164 V DC	NO → Check power cord and C901. If the fuse is blown, check Q901, T901, D901 and their surroundings. YES → Go to check ② .
	② D906: Cathode D907: Anode	+9.5 V DC -9.8 V DC	NO → NO R Check voltage at IC902 and surroundings.PC901 and IC902 may be defective. YES → Go to check ③ .
	③ Q904: Emitter, Q905: Emitter, Q906: Emitter, IC904: Pin 2	-6 V DC +6 V DC +5 V DC +9 V DC	NO → IC901, IC903, IC904 or Q904 to Q906 defective. YES → Check CN1, CN3 and wires.
2. Display LED lighting failure.	④ CN3: Pins 3 to 7	0 or +5 V DC	NO → IC2 defective. YES → Q701 to Q706 or wire is defective.
3. Switch operation failure.	⑤ CN3: Pins 8 to 14	0 or +5 V DC	NO → IC2 defective. YES → CN701, tack switch or wire defective.
4. S/V switching failure	⑥ IC101: Pins 7, 14, 21 and 28	0 V when S-Video plug is inserted. +5 V when S-Video plug is not inserted.	NO → PJ107 to PJ110 defective. YES → Check IC101 and the surroundings.
5. Remote control malfunction	⑦ IC2: Pin 55	+ 5 V DC at remote control code (See TM.)	NO → IC701, CN1, CN702 or wire defective. YES → IC2 defective.
6. The composite video inputs at CH1 and CH2 are not displayed.	⑧ Q129: Emitter		NO → Go to check ⑨ . YES → Check IC106, output buffer and their surroundings.
	⑨ Q107: emitter		NO → Check IC101 and surroundings. YES → Check IC103 and their surroundings.
7. The composite video inputs at CH1 and CH2 are not output at the Monitor output.	⑩ Q135: Emitter		NO → Go to check ⑪ . YES → Check Q152, Q161, Q170 and their surroundings.
	⑪ Q115: Emitter		NO → Check IC101 and surroundings. YES → Check IC103 and their surroundings.

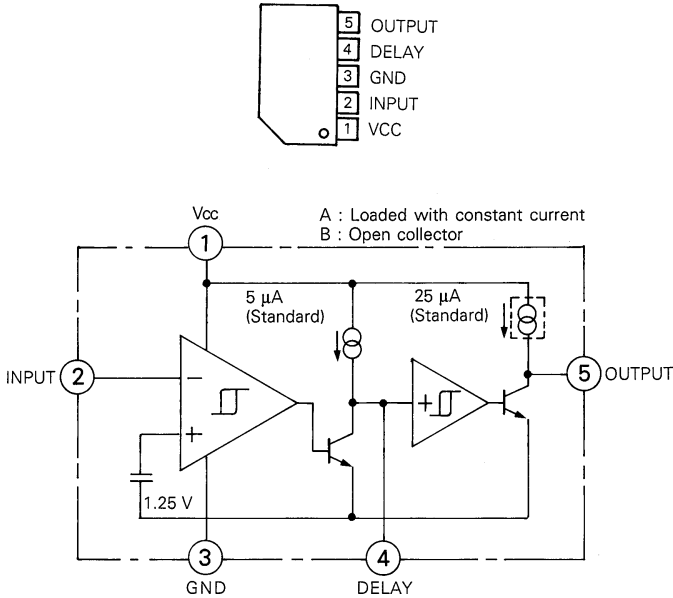
Symptom	Check Points	Normal Voltage/Waveform	Check Results and Failures
8. The S-Video inputs at CH1 to CH4 are not displayed.	⑫ (Y) Q131: Emitter (C) Q133: Emitter	(Y)  (C) 	NO → Go to check ⑬ . YES → Check IC107, IC108, output buffer and their surroundings.
	⑬ (Y) Q108: Emitter (C) Q109: Emitter	(Y)  (C) 	NO → Check IC101 and surroundings. YES → Check IC102, IC104 and their surroundings.
9. The S-Video inputs at CH1 to CH4 are not output at the Monitor output.	⑭ (Y) Q137: Emitter (C) Q139: Emitter	(Y)  (C) 	NO → Go to check ⑮ . YES → Check output buffer and surroundings.
	⑮ (Y) Q110: Emitter (C) Q111: Emitter	(Y)  (C) 	NO → Check IC101 and surroundings. YES → Check IC102, IC104 and their surroundings.
10. The S-Video input at CH5 is not displayed.	⑯ (Y) Q104: Emitter (C) Q102: Emitter	(Y)  (C) 	NO → Check Q101 to Q104, Q119, Q120 and their surroundings. YES → Go to check ⑫ .

Symptom	Check Points	Normal Voltage/Waveform	Check Results and Failures
11. The S-Video input at CH5 is not output at the Monitor output.	⑰ (Y) Q104: Emitter (C) Q102: Emitter	(Y)  (C) 	NO → Check Q101 to Q104, Q119, Q120 and their surroundings. YES → Go to check ⑭ .
	12. Malfunction in Y/C separation.	⑱ (Y) M101: Pin 5 (C) M101: Pin 3	(Y)  (C) 
13. Malfunction in Y/C separation for monitor output.		⑲ (Y) Q114: Emitter (C) Q113: Emitter	(Y)  (C) 
	13. Malfunction in Y/C separation for monitor output.	㉑ (Y) M102: Pin 5 (C) M102: Pin 3	(Y)  (C) 

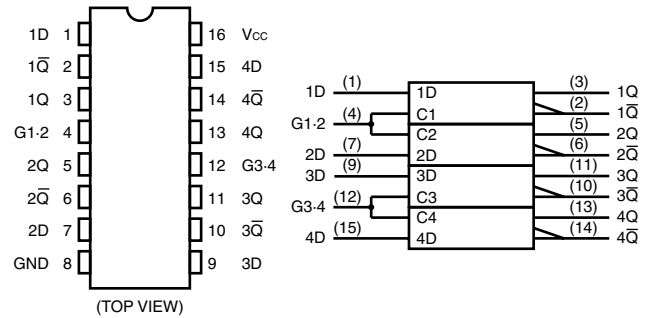
Symptom	Check Points	Normal Voltage/Waveform	Check Results and Failures
14. Malfunction in Y/C mixing of CH1 to CH4 inputs.	⑳ Q107: Emitter (Monitor output: Q115 emitter)		NO → Check IC101 and surroundings. YES → Check IC103 and their surroundings.
15. Malfunction in Y/C mixing of CH5 input.	㉑ Q122: Emitter		NO → Check Q105, Q106, Q121, Q122 and their surroundings. YES → Check IC103 and their surroundings.
16. Component video signal is not output.	㉒ (Y) Q401: Emitter (Pb) Q402: Emitter (Pr) Q403: Emitter	(Y)  (Cb)  (Cr) 	NO → Check IC401, IC402 and their surroundings. YES → Check 6 dB amp (Q404 to Q409, Q413 to Q415), output buffer and their surroundings.
17. Audio signals are not output.	㉓ (L) IC806: Pins 6 & 7 (R) IC806: Pins 1 & 2		NO → Go to check ㉔. YES → Check IC808, IC809 and their surroundings.
	㉔ (L) IC801 to IC805: Pins 7 (R) IC801 to IC805: Pins 1		NO → Check IC801 to IC805 and their surroundings. YES → Check IC101 and surroundings.
18. Audio signals are not output at the Monitor.	㉕ (L) IC807 pins 6 & 7 (R) IC807 pins 1 & 2		NO → Check IC807 and surroundings. YES → Check CN806 and wire.

Block View Inside IC

IC1 M51957AL [MITSUBISHI]



IC4 HD74HC375FP [HITACHI]

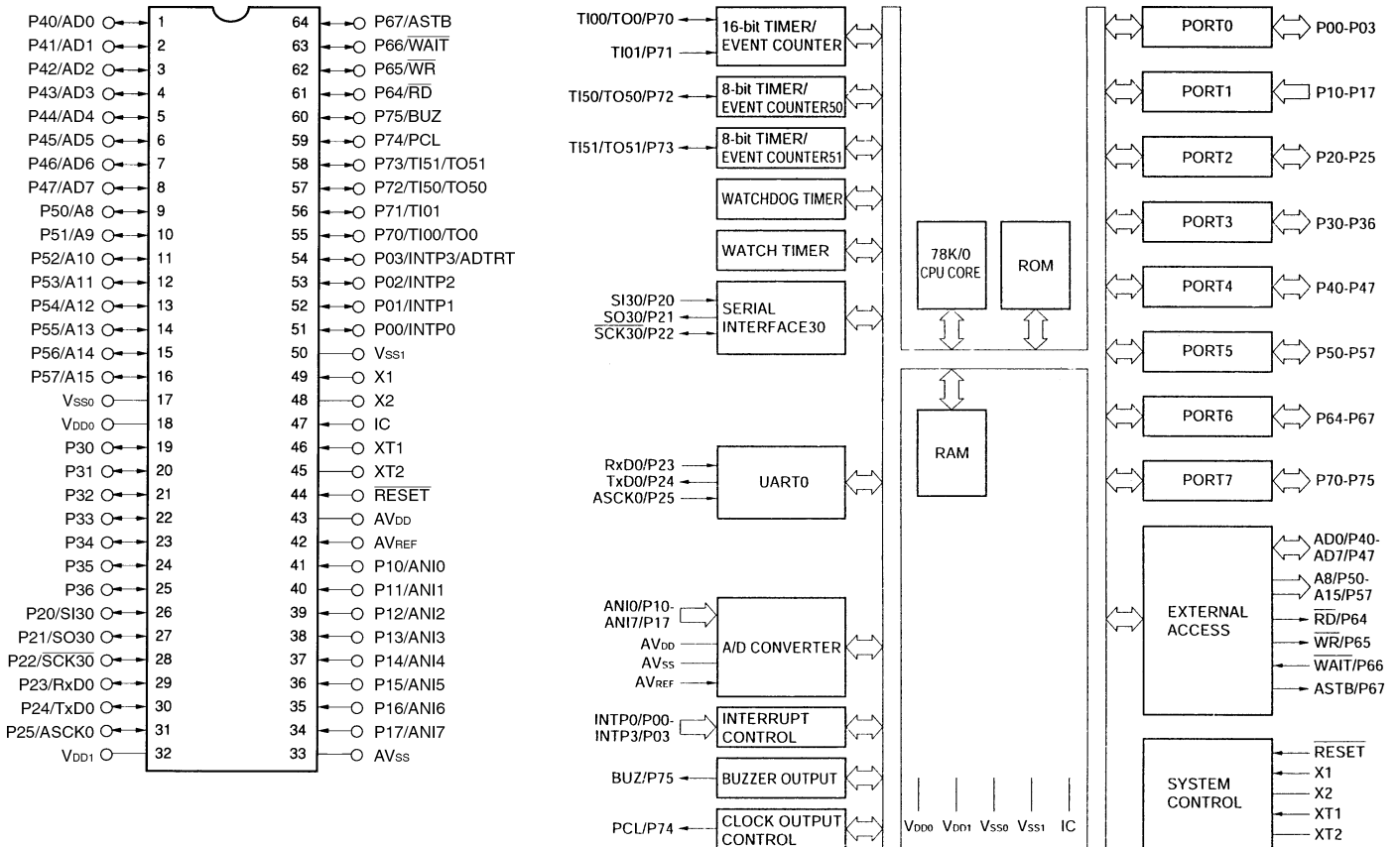


TRUE TABLE

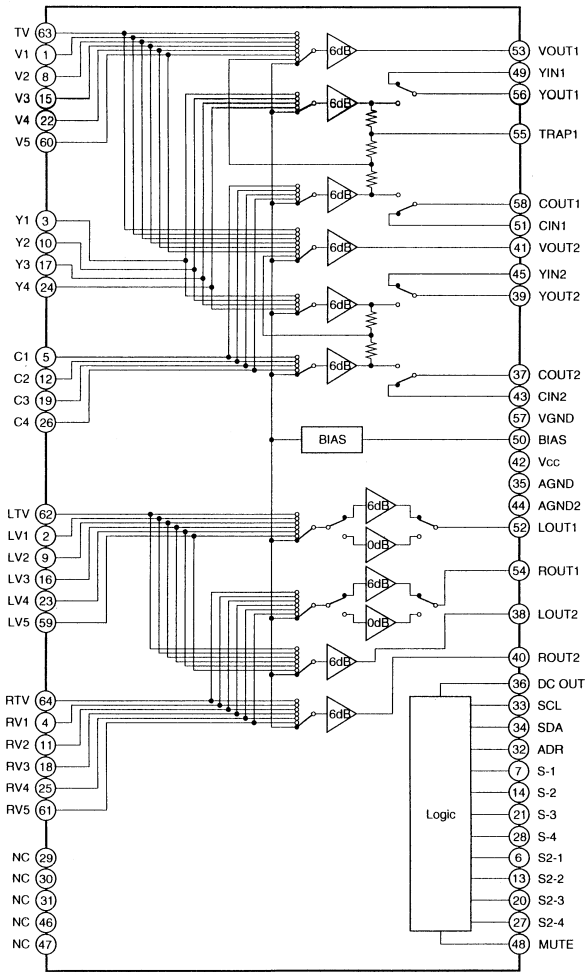
INPUTS		OUTPUTS		FUNCTION
D	G	Q	Q̄	
L	H	L	H	—
H	H	H	H	—
X	L	Qn	Q̄n	LATCH

X: Don't care

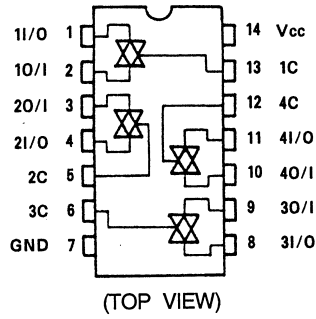
IC2 uPD780021ACWW01



■ IC101 CXA2079Q



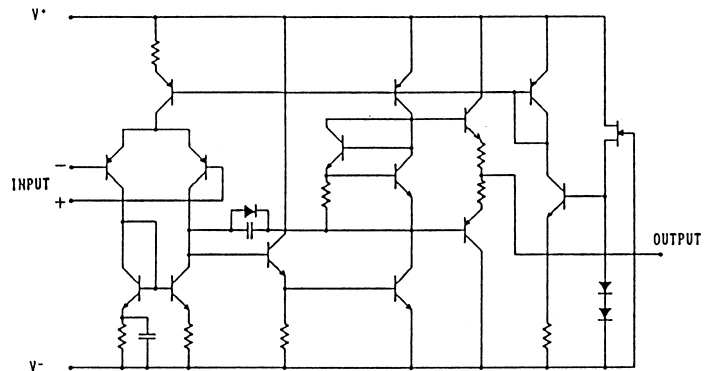
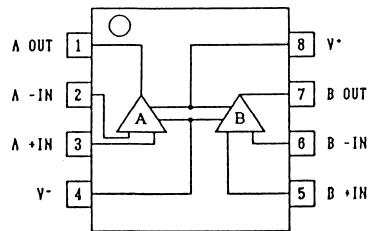
■ IC102-108 TC74HC4066AP [TOSHIBA]



TRUE Table

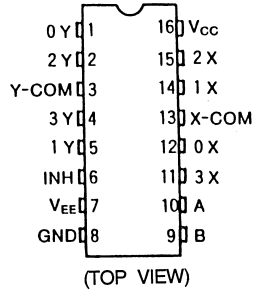
CONTROL	SWITCH FUNCTION
H	ON
L	OFF

■ IC801-807 NJM4580D [JRC]



■ IC401-402, 808-809 TC74HC4052AP [TOSHIBA]

TC74HC4052A

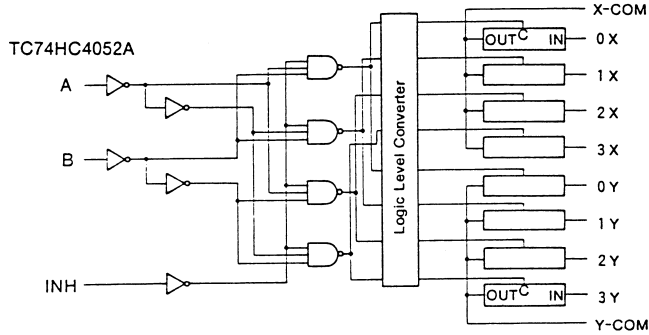
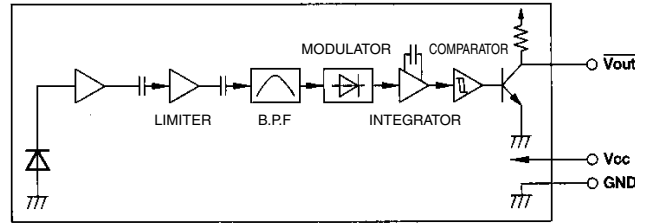


TRUE Table

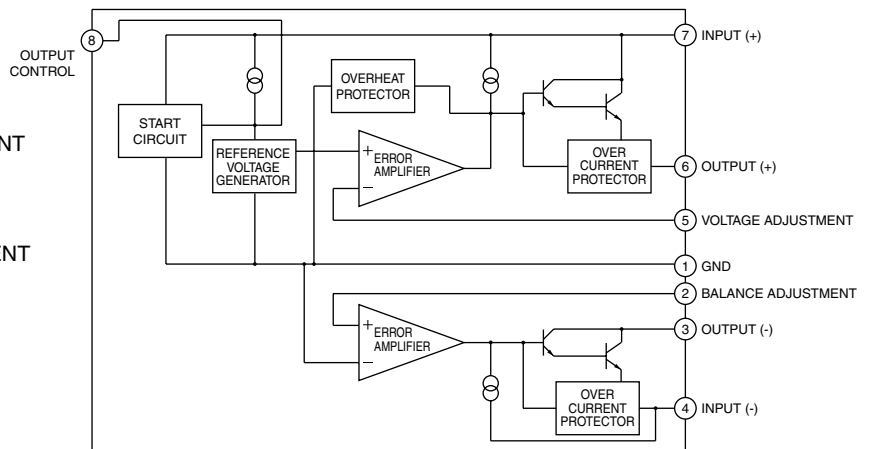
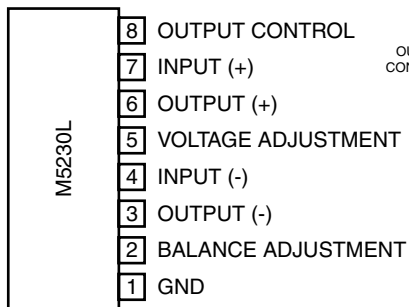
CONTROL INPUTS			"ON" CHANNEL
INHIBIT	B	A	HC4052A
L	L	L	0X, 0Y
L	L	H	1X, 1Y
L	H	L	2X, 2Y
L	H	H	3X, 3Y
H	X	X	NONE

X : DONT CARE

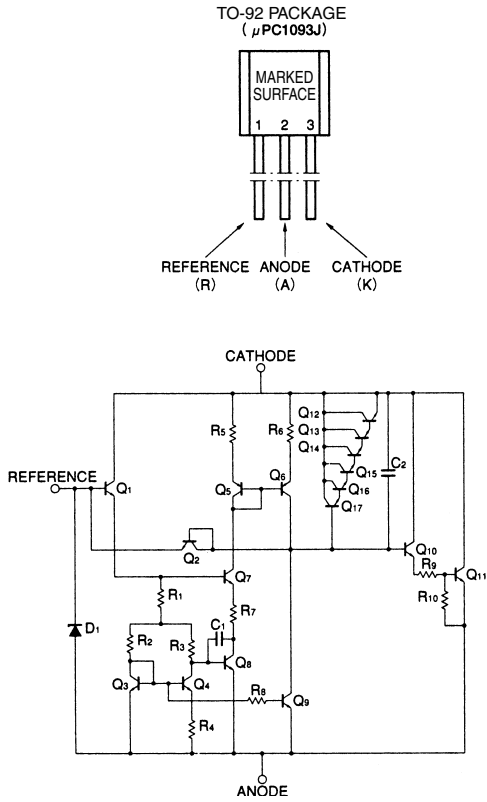
■ IC701 GP1U261R [SHARP]



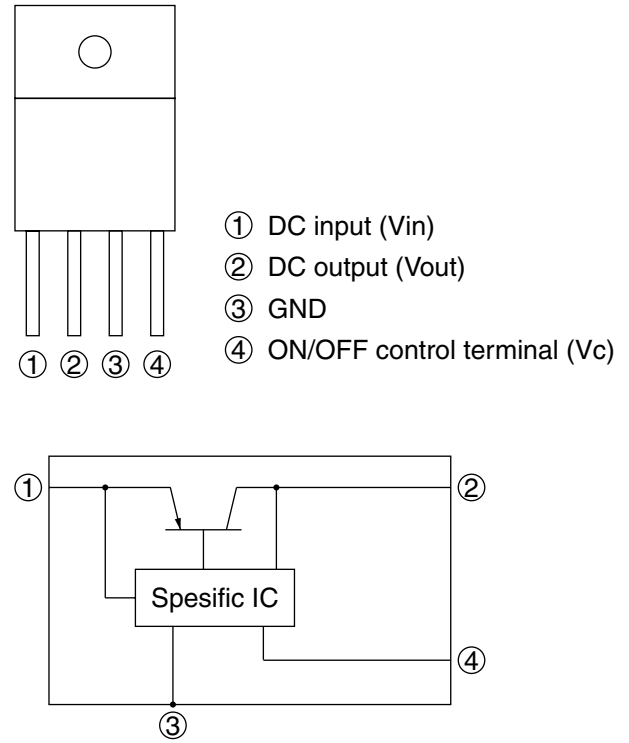
■ IC901 M5230L [MITSUBISHI]



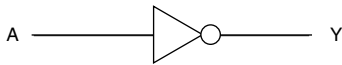
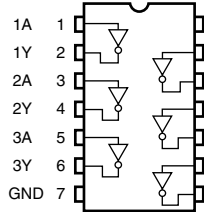
■ IC902-903 uPC1093J [NEC]



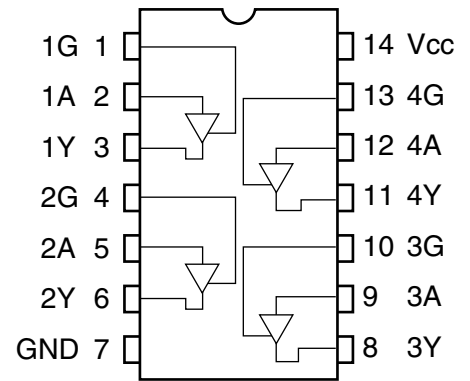
■ IC904 PQ09RD08 [SHARP]



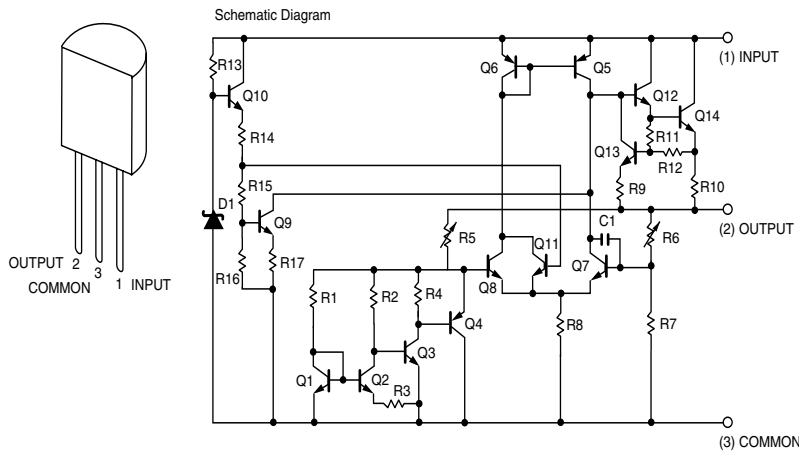
■ IC3 TC74HC04AP [TOSHIBA]



■ IC403 TC74HC126AP [TOSHIBA]



■ IC404 TA78L005AP [TOSHIBA]



INPUTS		OUTPUTS
G	A	Y
L	X	Z
H	L	L
H	H	H

X: Don't Care
Z: High Impedance

TA78L005AP — 5V
TA78L012AP — 12V

JVC

VICTOR COMPANY OF JAPAN, LIMITED

COMMUNICATION NETWORK BUSINESS UNIT, 1644, SHIMOTSURUMA, YAMATO-SHI, KANAGAWA-KEN, 242-8514, JAPAN

Electric Parts List

MAIN P.W. Board Ass'y

△ Ref. No.	PartsNo.	PartsName,Description	△ Ref. No.	PartsNo.	PartsName,Description
PWBA	J22034-001	Main Board Assembly The part will not be supplied as an assembly.	D120	1SS120	Diode HITACHI
IC1	M51957AL	IC MITSUBISHI	D121	1SS120	Diode HITACHI
IC2	UPD780021ACWW01	IC NEC	D122	1SS120	Diode HITACHI
IC3	TC74HC04AP	IC TOSHIBA	D123	1SS120	Diode HITACHI
IC4	HD74HC375FPEL	IC HITACHI	D129	1SS120	Diode HITACHI
			D130	1SS120	Diode HITACHI
IC101	CXA2079Q	IC SONY	D131	1SS120	Diode HITACHI
IC102	TC74HC4066AP	IC TOSHIBA	D132	1SS120	Diode HITACHI
IC103	TC74HC4066AP	IC TOSHIBA	D133	1SS120	Diode HITACHI
IC104	TC74HC4066AP	IC TOSHIBA	D134	1SS120	Diode HITACHI
IC106	TC74HC4066AP	IC TOSHIBA	D135	1SS120	Diode HITACHI
IC107	TC74HC4066AP	IC TOSHIBA	D136	1SS120	Diode HITACHI
IC108	TC74HC4066AP	IC TOSHIBA	D141	1SS120	Diode HITACHI
IC401	TC74HC4052AP	IC TOSHIBA	D142	1SS120	Diode HITACHI
IC402	TC74HC4052AP	IC TOSHIBA	D143	1SS120	Diode HITACHI
IC403	TC74HC126AP	IC TOSHIBA	D144	1SS120	Diode HITACHI
△ IC404	TA78L005AP	IC TOSHIBA	D145	1SS120	Diode HITACHI
IC801	NJM4580D	IC JRC	D146	1SS120	Diode HITACHI
IC802	NJM4580D	IC JRC	D147	HZS11A2L	ZenerDiode HITACHI
IC803	NJM4580D	IC JRC	D148	HZS11A2L	ZenerDiode HITACHI
IC804	NJM4580D	IC JRC	D150	HZS11A2L	ZenerDiode HITACHI
IC805	NJM4580D	IC JRC	D151	HZS11A2L	ZenerDiode HITACHI
IC806	NJM4580D	IC JRC	D152	HZS11A2L	ZenerDiode HITACHI
IC807	NJM4580D	IC JRC	D153	HZS11A2L	ZenerDiode HITACHI
IC808	TC74HC4052AP	IC TOSHIBA	D154	HZS11A2L	ZenerDiode HITACHI
IC809	TC74HC4052AP	IC TOSHIBA	D155	HZS11A2L	ZenerDiode HITACHI
△ IC901	M5230L	IC MITSUBISHI	D158	HZS11A2L	ZenerDiode HITACHI
△ IC902	UPC1093J	IC NEC	D159	HZS11A2L	ZenerDiode HITACHI
△ IC903	UPC1093J	IC NEC	D160	HZS11A2L	ZenerDiode HITACHI
△ IC904	PQ09RD08	IC SHARP	D161	RD10MB2	ZenerDiode NEC
			D162	RD10MB2	ZenerDiode NEC
D1	1SS120	Diode HITACHI	D437	1SS120	Diode HITACHI
D3	1SS120	Diode HITACHI	D438	1SS120	Diode HITACHI
D4	1SS120	Diode HITACHI	D439	1SS120	Diode HITACHI
D5	1SS120	Diode HITACHI	D440	1SS120	Diode HITACHI
D6	1SS120	Diode HITACHI	D441	1SS120	Diode HITACHI
D10	1SS120	Diode HITACHI	D442	1SS120	Diode HITACHI
D11	1SS120	Diode HITACHI	△ D901	DF06M-G45	Diode G.I.
D101	HZS7B2L	ZenerDiode HITACHI	△ D903	ERA18-04-T1	Diode FUJIELECTRIC
D102	HZS7B2L	ZenerDiode HITACHI	△ D904	ERA18-04-T1	Diode FUJIELECTRIC
D103	HZS7B2L	ZenerDiode HITACHI	△ D905	ERA18-04-T1	Diode FUJIELECTRIC
D104	HZS7B2L	ZenerDiode HITACHI	△ D906	SB340L-5009	Diode G.I.
D107	HZS7B2L	ZenerDiode HITACHI	△ D907	SB340L-5009	Diode G.I.
D108	HZS7B2L	ZenerDiode HITACHI	△ D908	1N4742A	ZenerDiode G.I.
D109	RD10MB2	ZenerDiode NEC	△ D909	RD10JSAB1	ZenerDiode NEC
D110	HZS11A2L	ZenerDiode HITACHI	Q2	DTA124EK	DigitalTransistor ROHM
D112	1SS120	Diode HITACHI	Q3	DTA124EK	DigitalTransistor ROHM
D113	1SS120	Diode HITACHI	Q4	DTA124EK	DigitalTransistor ROHM
D114	1SS120	Diode HITACHI	Q5	DTA124EK	DigitalTransistor ROHM
D115	1SS120	Diode HITACHI	Q101	2SC3052	Transistor MITSUBISHI
D116	1SS120	Diode HITACHI	Q102	2SC3052	Transistor MITSUBISHI
D117	1SS120	Diode HITACHI	Q103	2SC3052	Transistor MITSUBISHI
D118	1SS120	Diode HITACHI	Q104	2SC3052	Transistor MITSUBISHI
D119	1SS120	Diode HITACHI	Q105	2SC3052	Transistor MITSUBISHI

△ Ref. No.	PartsNo.	PartsName,Description		△ Ref. No.	PartsNo.	PartsName,Description	
Q106	2SC3052	Transistor	MITSUBISHI	Q402	2SC3052	Transistor	MITSUBISHI
Q107	2SC3052	Transistor	MITSUBISHI	Q403	2SC3052	Transistor	MITSUBISHI
Q108	2SC3052	Transistor	MITSUBISHI	Q404	2SC4432	Transistor	SANYO
Q109	2SC3052	Transistor	MITSUBISHI	Q405	2SC4432	Transistor	SANYO
Q110	2SC3052	Transistor	MITSUBISHI	Q406	2SC4432	Transistor	SANYO
Q111	2SC3052	Transistor	MITSUBISHI	Q407	2SC3052	Transistor	MITSUBISHI
Q112	2SC3052	Transistor	MITSUBISHI	Q408	2SC3052	Transistor	MITSUBISHI
Q113	2SC3052	Transistor	MITSUBISHI	Q409	2SC3052	Transistor	MITSUBISHI
Q114	2SC3052	Transistor	MITSUBISHI	Q410	2SC3052	Transistor	MITSUBISHI
Q115	2SC3052	Transistor	MITSUBISHI	Q411	2SC3052	Transistor	MITSUBISHI
Q116	2SC3052	Transistor	MITSUBISHI	Q412	2SC3052	Transistor	MITSUBISHI
Q117	2SC3052	Transistor	MITSUBISHI	Q413	2SA1815	Transistor	SANYO
Q118	2SC3052	Transistor	MITSUBISHI	Q414	2SA1815	Transistor	SANYO
Q119	2SA1235	Transistor	MITSUBISHI	Q415	2SA1815	Transistor	SANYO
Q120	2SA1235	Transistor	MITSUBISHI	Q416	2SA1235	Transistor	MITSUBISHI
Q121	2SA1235	Transistor	MITSUBISHI	Q417	2SA1235	Transistor	MITSUBISHI
Q122	2SA1235	Transistor	MITSUBISHI	Q418	2SA1235	Transistor	MITSUBISHI
Q124	2SA1235	Transistor	MITSUBISHI	Q420	DTC124EK	DigitalTransistor	ROHM
Q125	2SA1235	Transistor	MITSUBISHI	Q421	DTC124EK	DigitalTransistor	ROHM
Q127	DTC124EK	DigitalTransistor	ROHM	Q422	DTC124EK	DigitalTransistor	ROHM
Q128	DTC124EK	DigitalTransistor	ROHM	△ Q901	2SK3326	FET	NEC
Q129	2SC3052	Transistor	MITSUBISHI	△ Q902	2SC5395	Transistor	MITSUBISHI
Q131	2SC3052	Transistor	MITSUBISHI	△ Q903	2SC5395	Transistor	MITSUBISHI
Q133	2SC3052	Transistor	MITSUBISHI	△ Q904	2SB1094	Transistor	NEC
Q135	2SC3052	Transistor	MITSUBISHI	△ Q905	2SD1585	Transistor	NEC
Q137	2SC3052	Transistor	MITSUBISHI	△ Q906	2SC3246	Transistor	MITSUBISHI
Q139	2SC3052	Transistor	MITSUBISHI	△ Q907	DTC124EK	DigitalTransistor	ROHM
Q141	2SC3052	Transistor	MITSUBISHI	△ Q908	DTC124EK	DigitalTransistor	ROHM
Q142	2SC3052	Transistor	MITSUBISHI	R1	NRSA02J-105NY	M.G.Resistor	1MΩ,1/10W
Q144	2SC3052	Transistor	MITSUBISHI	R2	NRSA02J-105NY	M.G.Resistor	1MΩ,1/10W
Q145	2SC3052	Transistor	MITSUBISHI	R3	NRSA02J-105NY	M.G.Resistor	1MΩ,1/10W
Q146	2SC3052	Transistor	MITSUBISHI	R4	NRSA02J-105NY	M.G.Resistor	1MΩ,1/10W
Q147	2SC3052	Transistor	MITSUBISHI	R5	NRSA02J-105NY	M.G.Resistor	1MΩ,1/10W
Q148	2SC3052	Transistor	MITSUBISHI	R6	NRSA02J-105NY	M.G.Resistor	1MΩ,1/10W
Q149	2SC3052	Transistor	MITSUBISHI	R7	NRSA02J-105NY	M.G.Resistor	1MΩ,1/10W
Q152	2SC3052	Transistor	MITSUBISHI	R8	NRSA02J-105NY	M.G.Resistor	1MΩ,1/10W
Q153	2SC3052	Transistor	MITSUBISHI	R9	NRSA02J-104NY	M.G.Resistor	100kΩ,1/10W
Q154	2SC3052	Transistor	MITSUBISHI	R10	NRSA02J-104NY	M.G.Resistor	100kΩ,1/10W
Q155	2SA1235	Transistor	MITSUBISHI	R11	NRSA02J-104NY	M.G.Resistor	100kΩ,1/10W
Q156	2SA1235	Transistor	MITSUBISHI	R12	NRSA02J-104NY	M.G.Resistor	100kΩ,1/10W
Q157	2SA1235	Transistor	MITSUBISHI	R13	NRSA02J-104NY	M.G.Resistor	100kΩ,1/10W
Q158	2SA1235	Transistor	MITSUBISHI	R14	NRSA02J-103NY	M.G.Resistor	10kΩ,1/10W
Q161	2SA1235	Transistor	MITSUBISHI	R15	NRSA02J-104NY	M.G.Resistor	100kΩ,1/10W
Q162	2SA1235	Transistor	MITSUBISHI	R16	NRSA02J-104NY	M.G.Resistor	100kΩ,1/10W
Q163	2SA1235	Transistor	MITSUBISHI	R17	NRSA02J-104NY	M.G.Resistor	100kΩ,1/10W
Q164	DTC124EK	DigitalTransistor	ROHM	R18	NRSA02J-102NY	M.G.Resistor	1kΩ,1/10W
Q165	DTC124EK	DigitalTransistor	ROHM	R19	NRSA02J-102NY	M.G.Resistor	1kΩ,1/10W
Q166	DTC124EK	DigitalTransistor	ROHM	R20	NRSA02J-104NY	M.G.Resistor	100kΩ,1/10W
Q167	DTC124EK	DigitalTransistor	ROHM	R21	NRSA02J-104NY	M.G.Resistor	100kΩ,1/10W
Q170	DTC124EK	DigitalTransistor	ROHM	R22	NRSA02J-104NY	M.G.Resistor	100kΩ,1/10W
Q171	DTC124EK	DigitalTransistor	ROHM	R23	NRSA02J-104NY	M.G.Resistor	100kΩ,1/10W
Q172	DTC124EK	DigitalTransistor	ROHM	R24	NRSA02J-104NY	M.G.Resistor	100kΩ,1/10W
Q173	2SC3052	Transistor	MITSUBISHI	R25	NRSA02J-104NY	M.G.Resistor	100kΩ,1/10W
Q174	2SA1235	Transistor	MITSUBISHI	R26	NRSA02J-104NY	M.G.Resistor	100kΩ,1/10W
Q175	2SC3052	Transistor	MITSUBISHI	R27	NRSA02J-104NY	M.G.Resistor	100kΩ,1/10W
Q176	2SA1235	Transistor	MITSUBISHI	R28	NRSA02J-104NY	M.G.Resistor	100kΩ,1/10W
Q401	2SC3052	Transistor	MITSUBISHI	R29	NRSA02J-105NY	M.G.Resistor	1MΩ,1/10W

△ Ref. No.	PartsNo.	PartsName,Description	
R30	NRSA02J-103NY	M.G.Resistor	10kΩ, 1/10W
R31	NRSA02J-103NY	M.G.Resistor	10kΩ, 1/10W
R32	NRSA02J-103NY	M.G.Resistor	10kΩ, 1/10W
R33	NRSA02J-472NY	M.G.Resistor	4.7kΩ, 1/10W
R34	NRSA02J-472NY	M.G.Resistor	4.7kΩ, 1/10W
R35	NRSA02J-472NY	M.G.Resistor	4.7kΩ, 1/10W
R36	NRSA02J-472NY	M.G.Resistor	4.7kΩ, 1/10W
R37	NRSA02J-101NY	M.G.Resistor	100Ω, 1/10W
R38	NRSA02J-104NY	M.G.Resistor	100kΩ, 1/10W
R101	NRSA02J-750NY	M.G.Resistor	75Ω, 1/10W
R102	NRSA02J-750NY	M.G.Resistor	75Ω, 1/10W
R103	NRSA02J-750NY	M.G.Resistor	75Ω, 1/10W
R104	NRSA02J-750NY	M.G.Resistor	75Ω, 1/10W
R106	NRSA02J-750NY	M.G.Resistor	75Ω, 1/10W
R107	NRSA02J-750NY	M.G.Resistor	75Ω, 1/10W
R108	NRSA02J-750NY	M.G.Resistor	75Ω, 1/10W
R109	NRSA02J-750NY	M.G.Resistor	75Ω, 1/10W
R111	NRSA02J-750NY	M.G.Resistor	75Ω, 1/10W
R112	NRSA02J-750NY	M.G.Resistor	75Ω, 1/10W
R120	NRSA02J-103NY	M.G.Resistor	10kΩ, 1/10W
R121	NRSA02J-103NY	M.G.Resistor	10kΩ, 1/10W
R123	NRSA02J-473NY	M.G.Resistor	47kΩ, 1/10W
R124	J46567-6040	M.G.Resistor	604Ω, 1/10W
R125	NRSA02J-113NY	M.G.Resistor	11kΩ, 1/10W
R126	J46567-1132	M.G.Resistor	11.3kΩ, 1/10W
R127	NRSA02J-681NY	M.G.Resistor	680Ω, 1/10W
R128	NRSA02J-561NY	M.G.Resistor	560Ω, 1/10W
R129	NRSA02J-681NY	M.G.Resistor	680Ω, 1/10W
R130	NRSA02J-561NY	M.G.Resistor	560Ω, 1/10W
R131	NRSA02J-561NY	M.G.Resistor	560Ω, 1/10W
R132	NRSA02J-511NY	M.G.Resistor	510Ω, 1/10W
R133	NRSA02J-471NY	M.G.Resistor	470Ω, 1/10W
R134	NRSA02J-511NY	M.G.Resistor	510Ω, 1/10W
R135	NRSA02J-511NY	M.G.Resistor	510Ω, 1/10W
R138	NRSA02J-393NY	M.G.Resistor	39kΩ, 1/10W
R139	NRSA02J-363NY	M.G.Resistor	36kΩ, 1/10W
R140	NRSA02J-333NY	M.G.Resistor	33kΩ, 1/10W
R141	NRSA02J-183NY	M.G.Resistor	18kΩ, 1/10W
R142	NRSA02J-203NY	M.G.Resistor	20kΩ, 1/10W
R143	NRSA02J-393NY	M.G.Resistor	39kΩ, 1/10W
R145	NRSA02J-821NY	M.G.Resistor	820Ω, 1/10W
R146	NRSA02J-221NY	M.G.Resistor	220Ω, 1/10W
R147	NRSA02J-363NY	M.G.Resistor	36kΩ, 1/10W
R148	NRSA02J-471NY	M.G.Resistor	470Ω, 1/10W
R149	NRSA02J-681NY	M.G.Resistor	680Ω, 1/10W
R151	NRSA02J-104NY	M.G.Resistor	100kΩ, 1/10W
R152	NRSA02J-104NY	M.G.Resistor	100kΩ, 1/10W
R153	NRSA02J-104NY	M.G.Resistor	100kΩ, 1/10W
R154	NRSA02J-104NY	M.G.Resistor	100kΩ, 1/10W
R155	NRSA02J-104NY	M.G.Resistor	100kΩ, 1/10W
R156	NRSA02J-104NY	M.G.Resistor	100kΩ, 1/10W
R157	NRSA02J-152NY	M.G.Resistor	1.5kΩ, 1/10W
R158	NRSA02J-152NY	M.G.Resistor	1.5kΩ, 1/10W
R160	NRSA02J-152NY	M.G.Resistor	1.5kΩ, 1/10W
R161	NRSA02J-152NY	M.G.Resistor	1.5kΩ, 1/10W
R162	NRSA02J-152NY	M.G.Resistor	1.5kΩ, 1/10W
R163	NRSA02J-152NY	M.G.Resistor	1.5kΩ, 1/10W

△ Ref. No.	PartsNo.	PartsName,Description	
R164	NRSA02J-152NY	M.G.Resistor	1.5kΩ, 1/10W
R165	NRSA02J-102NY	M.G.Resistor	1kΩ, 1/10W
R166	NRSA02J-681NY	M.G.Resistor	680Ω, 1/10W
R167	NRSA02J-152NY	M.G.Resistor	1.5kΩ, 1/10W
R168	NRSA02J-102NY	M.G.Resistor	1kΩ, 1/10W
R169	NRSA02J-681NY	M.G.Resistor	680Ω, 1/10W
R170	NRSA02J-123NY	M.G.Resistor	12kΩ, 1/10W
R171	NRSA02J-223NY	M.G.Resistor	22kΩ, 1/10W
R172	NRSA02J-680NY	M.G.Resistor	68Ω, 1/10W
R173	NRSA02J-680NY	M.G.Resistor	68Ω, 1/10W
R174	NRSA02J-680NY	M.G.Resistor	68Ω, 1/10W
R175	NRSA02J-680NY	M.G.Resistor	68Ω, 1/10W
R176	NRSA02J-680NY	M.G.Resistor	68Ω, 1/10W
R177	NRSA02J-102NY	M.G.Resistor	1kΩ, 1/10W
R178	NRSA02J-680NY	M.G.Resistor	68Ω, 1/10W
R179	NRSA02J-102NY	M.G.Resistor	1kΩ, 1/10W
R180	NRSA02J-680NY	M.G.Resistor	68Ω, 1/10W
R181	NRSA02J-680NY	M.G.Resistor	68Ω, 1/10W
R182	NRSA02J-104NY	M.G.Resistor	100kΩ, 1/10W
R183	NRSA02J-104NY	M.G.Resistor	100kΩ, 1/10W
R184	NRSA02J-104NY	M.G.Resistor	100kΩ, 1/10W
R185	NRSA02J-104NY	M.G.Resistor	100kΩ, 1/10W
R186	NRSA02J-104NY	M.G.Resistor	100kΩ, 1/10W
R187	NRSA02J-104NY	M.G.Resistor	100kΩ, 1/10W
R188	NRSA02J-273NY	M.G.Resistor	27kΩ, 1/10W
R189	NRSA02J-273NY	M.G.Resistor	27kΩ, 1/10W
R190	NRSA02J-123NY	M.G.Resistor	12kΩ, 1/10W
R191	NRSA02J-123NY	M.G.Resistor	12kΩ, 1/10W
R193	NRSA02J-471NY	M.G.Resistor	470Ω, 1/10W
R194	NRSA02J-471NY	M.G.Resistor	470Ω, 1/10W
R195	NRSA02J-511NY	M.G.Resistor	510Ω, 1/10W
R196	NRSA02J-511NY	M.G.Resistor	510Ω, 1/10W
R197	NRSA02J-222NY	M.G.Resistor	2.2kΩ, 1/10W
R198	NRSA02J-222NY	M.G.Resistor	2.2kΩ, 1/10W
R199	NRSA02J-222NY	M.G.Resistor	2.2kΩ, 1/10W
R200	NRSA02J-222NY	M.G.Resistor	2.2kΩ, 1/10W
R201	NRSA02J-123NY	M.G.Resistor	12kΩ, 1/10W
R202	NRSA02J-223NY	M.G.Resistor	22kΩ, 1/10W
R203	NRSA02J-562NY	M.G.Resistor	5.6kΩ, 1/10W
R204	NRSA02J-562NY	M.G.Resistor	5.6kΩ, 1/10W
R205	NRSA02J-562NY	M.G.Resistor	5.6kΩ, 1/10W
R206	NRSA02J-562NY	M.G.Resistor	5.6kΩ, 1/10W
R207	NRSA02J-562NY	M.G.Resistor	5.6kΩ, 1/10W
R208	NRSA02J-562NY	M.G.Resistor	5.6kΩ, 1/10W
R209	NRSA02J-332NY	M.G.Resistor	3.3kΩ, 1/10W
R211	NRSA02J-332NY	M.G.Resistor	3.3kΩ, 1/10W
R213	NRSA02J-332NY	M.G.Resistor	3.3kΩ, 1/10W
R215	NRSA02J-332NY	M.G.Resistor	3.3kΩ, 1/10W
R217	NRSA02J-332NY	M.G.Resistor	3.3kΩ, 1/10W
R219	NRSA02J-332NY	M.G.Resistor	3.3kΩ, 1/10W
R239	NRSA02J-680NY	M.G.Resistor	68Ω, 1/10W
R240	NRSA02J-680NY	M.G.Resistor	68Ω, 1/10W
R241	NRSA02J-680NY	M.G.Resistor	68Ω, 1/10W
R242	NRSA02J-680NY	M.G.Resistor	68Ω, 1/10W
R243	NRSA02J-680NY	M.G.Resistor	68Ω, 1/10W
R244	NRSA02J-680NY	M.G.Resistor	68Ω, 1/10W
R245	NRSA02J-680NY	M.G.Resistor	68Ω, 1/10W
R246	NRSA02J-680NY	M.G.Resistor	68Ω, 1/10W
R247	NRSA02J-680NY	M.G.Resistor	68Ω, 1/10W

△ Ref. No.	PartsNo.	PartsName,Description	△ Ref. No.	PartsNo.	PartsName,Description
R248	NRSA02J-680NY	M.G.Resistor 68Ω,1/10W	R401	NRSA02J-750NY	M.G.Resistor 75Ω,1/10W
R249	NRSA02J-680NY	M.G.Resistor 68Ω,1/10W	R402	NRSA02J-750NY	M.G.Resistor 75Ω,1/10W
R250	NRSA02J-680NY	M.G.Resistor 68Ω,1/10W	R406	NRSA02J-224NY	M.G.Resistor 220kΩ,1/10W
R251	NRSA02J-680NY	M.G.Resistor 68Ω,1/10W	R407	NRSA02J-224NY	M.G.Resistor 220kΩ,1/10W
R252	NRSA02J-680NY	M.G.Resistor 68Ω,1/10W	R408	NRSA02J-103NY	M.G.Resistor 10kΩ,1/10W
R253	NRSA02J-123NY	M.G.Resistor 12kΩ,1/10W	R409	NRSA02J-103NY	M.G.Resistor 10kΩ,1/10W
R254	NRSA02J-223NY	M.G.Resistor 22kΩ,1/10W	R410	NRSA02J-222NY	M.G.Resistor 2.2kΩ,1/10W
R260	NRSA02J-680NY	M.G.Resistor 68Ω,1/10W	R411	NRSA02J-222NY	M.G.Resistor 2.2kΩ,1/10W
R261	NRSA02J-680NY	M.G.Resistor 68Ω,1/10W	R428	J46567-2002	M.G.Resistor 20kΩ,1/10W
R262	NRSA02J-680NY	M.G.Resistor 68Ω,1/10W	R429	J46567-2002	M.G.Resistor 20kΩ,1/10W
R263	NRSA02J-680NY	M.G.Resistor 68Ω,1/10W	R430	J46567-2002	M.G.Resistor 20kΩ,1/10W
R264	NRSA02J-680NY	M.G.Resistor 68Ω,1/10W	R431	J46567-1582	M.G.Resistor 15.8kΩ,1/10W
R265	NRSA02J-680NY	M.G.Resistor 68Ω,1/10W	R432	J46567-1582	M.G.Resistor 15.8kΩ,1/10W
R266	NRSA02J-680NY	M.G.Resistor 68Ω,1/10W	R433	J46567-1582	M.G.Resistor 15.8kΩ,1/10W
R267	NRSA02J-680NY	M.G.Resistor 68Ω,1/10W	R434	NRSA02J-222NY	M.G.Resistor 2.2kΩ,1/10W
R268	NRSA02J-680NY	M.G.Resistor 68Ω,1/10W	R435	NRSA02J-560NY	M.G.Resistor 56Ω,1/10W
R269	NRSA02J-680NY	M.G.Resistor 68Ω,1/10W	R436	NRSA02J-560NY	M.G.Resistor 56Ω,1/10W
R270	NRSA02J-680NY	M.G.Resistor 68Ω,1/10W	R437	NRSA02J-560NY	M.G.Resistor 56Ω,1/10W
R276	NRSA02J-681NY	M.G.Resistor 680Ω,1/10W	R438	NRSA02J-681NY	M.G.Resistor 680Ω,1/10W
R277	NRSA02J-681NY	M.G.Resistor 680Ω,1/10W	R440	NRSA02J-621NY	M.G.Resistor 620Ω,1/10W
R279	NRSA02J-681NY	M.G.Resistor 680Ω,1/10W	R441	NRSA02J-681NY	M.G.Resistor 680Ω,1/10W
R280	NRSA02J-681NY	M.G.Resistor 680Ω,1/10W	R443	NRSA02J-621NY	M.G.Resistor 620Ω,1/10W
R281	NRSA02J-222NY	M.G.Resistor 2.2kΩ,1/10W	R444	NRSA02J-681NY	M.G.Resistor 680Ω,1/10W
R282	NRSA02J-222NY	M.G.Resistor 2.2kΩ,1/10W	R446	NRSA02J-621NY	M.G.Resistor 620Ω,1/10W
R283	NRSA02J-222NY	M.G.Resistor 2.2kΩ,1/10W	R447	NRSA02J-561NY	M.G.Resistor 560Ω,1/10W
R284	NRSA02J-222NY	M.G.Resistor 2.2kΩ,1/10W	R448	NRSA02J-561NY	M.G.Resistor 560Ω,1/10W
R287	NRSA02J-222NY	M.G.Resistor 2.2kΩ,1/10W	R449	NRSA02J-561NY	M.G.Resistor 560Ω,1/10W
R288	NRSA02J-222NY	M.G.Resistor 2.2kΩ,1/10W	R453	NRSA02J-222NY	M.G.Resistor 2.2kΩ,1/10W
R289	NRSA02J-222NY	M.G.Resistor 2.2kΩ,1/10W	R454	NRSA02J-222NY	M.G.Resistor 2.2kΩ,1/10W
R290	NRSA02J-123NY	M.G.Resistor 12kΩ,1/10W	R455	NRSA02J-222NY	M.G.Resistor 2.2kΩ,1/10W
R291	NRSA02J-223NY	M.G.Resistor 22kΩ,1/10W	R456	NRSA02J-680NY	M.G.Resistor 68Ω,1/10W
R292	NRSA02J-123NY	M.G.Resistor 12kΩ,1/10W	R457	NRSA02J-680NY	M.G.Resistor 68Ω,1/10W
R293	NRSA02J-223NY	M.G.Resistor 22kΩ,1/10W	R458	NRSA02J-680NY	M.G.Resistor 68Ω,1/10W
R294	NRSA02J-123NY	M.G.Resistor 12kΩ,1/10W	R459	NRSA02J-222NY	M.G.Resistor 2.2kΩ,1/10W
R295	NRSA02J-223NY	M.G.Resistor 22kΩ,1/10W	R460	NRSA02J-222NY	M.G.Resistor 2.2kΩ,1/10W
R296	NRSA02J-102NY	M.G.Resistor 1kΩ,1/10W	R461	NRSA02J-222NY	M.G.Resistor 2.2kΩ,1/10W
R297	NRSA02J-102NY	M.G.Resistor 1kΩ,1/10W	R462	NRSA02J-680NY	M.G.Resistor 68Ω,1/10W
R301	NRSA02J-273NY	M.G.Resistor 27kΩ,1/10W	R463	NRSA02J-680NY	M.G.Resistor 68Ω,1/10W
R302	NRSA02J-223NY	M.G.Resistor 22kΩ,1/10W	R464	NRSA02J-680NY	M.G.Resistor 68Ω,1/10W
R303	NRSA02J-681NY	M.G.Resistor 680Ω,1/10W	R465	NRSA02J-750NY	M.G.Resistor 75Ω,1/10W
R304	NRSA02J-471NY	M.G.Resistor 470Ω,1/10W	R466	NRSA02J-750NY	M.G.Resistor 75Ω,1/10W
R305	NRSA02J-511NY	M.G.Resistor 510Ω,1/10W	R467	NRSA02J-750NY	M.G.Resistor 75Ω,1/10W
R306	NRSA02J-273NY	M.G.Resistor 27kΩ,1/10W	R468	NRSA02J-750NY	M.G.Resistor 75Ω,1/10W
R307	NRSA02J-223NY	M.G.Resistor 22kΩ,1/10W	R478	NRSA02J-222NY	M.G.Resistor 2.2kΩ,1/10W
R308	NRSA02J-681NY	M.G.Resistor 680Ω,1/10W	R479	NRSA02J-222NY	M.G.Resistor 2.2kΩ,1/10W
R309	NRSA02J-471NY	M.G.Resistor 470Ω,1/10W	R496	NRSA02J-680NY	M.G.Resistor 68Ω,1/10W
R310	NRSA02J-511NY	M.G.Resistor 510Ω,1/10W	R499	NRSA02J-680NY	M.G.Resistor 68Ω,1/10W
R328	NRSA02J-560NY	M.G.Resistor 56Ω,1/10W	R500	NRSA02J-680NY	M.G.Resistor 68Ω,1/10W
R329	NRSA02J-560NY	M.G.Resistor 56Ω,1/10W	R811	NRSA02J-561NY	M.G.Resistor 560Ω,1/10W
R330	NRSA02J-560NY	M.G.Resistor 56Ω,1/10W	R812	NRSA02J-561NY	M.G.Resistor 560Ω,1/10W
R331	NRSA02J-560NY	M.G.Resistor 56Ω,1/10W	R813	NRSA02J-561NY	M.G.Resistor 560Ω,1/10W
R332	NRSA02J-560NY	M.G.Resistor 56Ω,1/10W	R814	NRSA02J-561NY	M.G.Resistor 560Ω,1/10W
R333	NRSA02J-560NY	M.G.Resistor 56Ω,1/10W	R815	NRSA02J-561NY	M.G.Resistor 560Ω,1/10W
R334	NRSA02J-560NY	M.G.Resistor 56Ω,1/10W	R816	NRSA02J-561NY	M.G.Resistor 560Ω,1/10W
R335	NRSA02J-560NY	M.G.Resistor 56Ω,1/10W	R817	NRSA02J-561NY	M.G.Resistor 560Ω,1/10W
R336	NRSA02J-560NY	M.G.Resistor 56Ω,1/10W	R818	NRSA02J-561NY	M.G.Resistor 560Ω,1/10W
R337	NRSA02J-560NY	M.G.Resistor 56Ω,1/10W	R819	NRSA02J-561NY	M.G.Resistor 560Ω,1/10W
R338	NRSA02J-560NY	M.G.Resistor 56Ω,1/10W	R820	NRSA02J-561NY	M.G.Resistor 560Ω,1/10W
			R821	NRSA02J-473NY	M.G.Resistor 47kΩ,1/10W

△ Ref. No.	PartsNo.	PartsName,Description		△ Ref. No.	PartsNo.	PartsName,Description	
R822	NRSA02J-473NY	M.G.Resistor	47kΩ, 1/10W	C4	QER51CM-106G	E.Capacitor	10uF,16V
R823	NRSA02J-473NY	M.G.Resistor	47kΩ, 1/10W	C5	QER51CM-106G	E.Capacitor	10uF,16V
R824	NRSA02J-473NY	M.G.Resistor	47kΩ, 1/10W	C6	QETB1AM-107	E.Capacitor	100uF,10V
R825	NRSA02J-473NY	M.G.Resistor	47kΩ, 1/10W	C7	NCB31HK-103AY	Cer.Capacitor	0.01uF,50V
R826	NRSA02J-473NY	M.G.Resistor	47kΩ, 1/10W	C8	NCB31HK-103AY	Cer.Capacitor	0.01uF,50V
R827	NRSA02J-473NY	M.G.Resistor	47kΩ, 1/10W	C9	NCB31HK-103AY	Cer.Capacitor	0.01uF,50V
R828	NRSA02J-473NY	M.G.Resistor	47kΩ, 1/10W	C10	NCB31HK-103AY	Cer.Capacitor	0.01uF,50V
R829	NRSA02J-473NY	M.G.Resistor	47kΩ, 1/10W	C11	NCB31HK-103AY	Cer.Capacitor	0.01uF,50V
R830	NRSA02J-473NY	M.G.Resistor	47kΩ, 1/10W	C12	NCB31HK-103AY	Cer.Capacitor	0.01uF,50V
R831	NRSA02J-222NY	M.G.Resistor	2.2kΩ, 1/10W	C13	NCB31HK-103AY	Cer.Capacitor	0.01uF,50V
R832	NRSA02J-222NY	M.G.Resistor	2.2kΩ, 1/10W	C14	NCB31HK-103AY	Cer.Capacitor	0.01uF,50V
R833	NRSA02J-472NY	M.G.Resistor	4.7kΩ, 1/10W	C15	NCB31HK-103AY	Cer.Capacitor	0.01uF,50V
R834	NRSA02J-472NY	M.G.Resistor	4.7kΩ, 1/10W	C16	NCB31HK-103AY	Cer.Capacitor	0.01uF,50V
R847	NRSA02J-102NY	M.G.Resistor	1kΩ, 1/10W	C17	NCB31HK-103AY	Cer.Capacitor	0.01uF,50V
R848	NRSA02J-102NY	M.G.Resistor	1kΩ, 1/10W	C18	NCB31HK-103AY	Cer.Capacitor	0.01uF,50V
R850	NRSA02J-222NY	M.G.Resistor	2.2kΩ, 1/10W	C19	NCB31HK-103AY	Cer.Capacitor	0.01uF,50V
R851	NRSA02J-222NY	M.G.Resistor	2.2kΩ, 1/10W	C20	NCB31HK-103AY	Cer.Capacitor	0.01uF,50V
R853	NRSA02J-472NY	M.G.Resistor	4.7kΩ, 1/10W	C21	NCB31HK-103AY	Cer.Capacitor	0.01uF,50V
R854	NRSA02J-472NY	M.G.Resistor	4.7kΩ, 1/10W	C22	NCB31HK-103AY	Cer.Capacitor	0.01uF,50V
R855	NRSA02J-220NY	M.G.Resistor	22Ω, 1/10W	C23	NCB31HK-103AY	Cer.Capacitor	0.01uF,50V
R856	NRSA02J-220NY	M.G.Resistor	22Ω, 1/10W	C24	NCB31HK-103AY	Cer.Capacitor	0.01uF,50V
R857	NRSA02J-220NY	M.G.Resistor	22Ω, 1/10W	C25	NCB31HK-103AY	Cer.Capacitor	0.01uF,50V
R858	NRSA02J-220NY	M.G.Resistor	22Ω, 1/10W	C26	NCB31HK-103AY	Cer.Capacitor	0.01uF,50V
△ R901	J46568-224	M.G.Resistor	220kΩ, 1/10W	C27	NCB31HK-103AY	Cer.Capacitor	0.01uF,50V
△ R902	J46568-224	M.G.Resistor	220kΩ, 1/10W	C28	NCT06CH-330AY	Cer.Capacitor	33pF,50V
△ R903	QRD121J-474	CarbonResistor	470kΩ, 1/2W	C29	NCT06CH-330AY	Cer.Capacitor	33pF,50V
R904	NRSA02J-223NY	M.G.Resistor	22kΩ, 1/10W	C31	QER51CM-106G	E.Capacitor	10uF,16V
R905	NRSA02J-473NY	M.G.Resistor	47kΩ, 1/10W	C32	QER51CM-107	E.Capacitor	100uF,16V
△ R906	QRD141J-221	CarbonResistor	220Ω, 1/4W	C101	QER51CM-476	E.Capacitor	47uF,16V
△ R907	J46570-R10	Resistor	0.1Ω, 1W	C102	QER51CM-476	E.Capacitor	47uF,16V
△ R908	J46572-470	Resistor	47Ω, 2W	C103	QER51CM-476	E.Capacitor	47uF,16V
△ R909	J46943-101	Resistor	100Ω, 2W	C104	QER51CM-476	E.Capacitor	47uF,16V
R910	NRSA02J-332NY	M.G.Resistor	3.3kΩ, 1/10W	C106	QER51CM-476	E.Capacitor	47uF,16V
R911	NRSA02J-331NY	M.G.Resistor	330Ω, 1/10W	C107	QER51CM-476	E.Capacitor	47uF,16V
R912	NRSA02J-105NY	M.G.Resistor	1MΩ, 1/10W	C118	NCB31HK-103AY	Cer.Capacitor	0.01uF,50V
R913	NRSA02J-561NY	M.G.Resistor	560Ω, 1/10W	C119	NCB31HK-103AY	Cer.Capacitor	0.01uF,50V
R914	NRSA02J-561NY	M.G.Resistor	560Ω, 1/10W	C121	NCB31HK-103AY	Cer.Capacitor	0.01uF,50V
△ R915	J46567-1102	M.G.Resistor	11kΩ, 1/10W	C122	NCB31HK-103AY	Cer.Capacitor	0.01uF,50V
△ R916	J46567-1102	M.G.Resistor	11kΩ, 1/10W	C123	NCB31HK-103AY	Cer.Capacitor	0.01uF,50V
△ R917	J46567-1102	M.G.Resistor	11kΩ, 1/10W	C125	NCB31HK-103AY	Cer.Capacitor	0.01uF,50V
△ R918	J46567-4701	M.G.Resistor	4.7kΩ, 1/10W	C127	NCT06CH-3R0AY	Cer.Capacitor	3pF,50V
R919	NRSA02J-331NY	M.G.Resistor	330Ω, 1/10W	C128	NCT06CH-3R0AY	Cer.Capacitor	3pF,50V
R920	NRSA02J-102NY	M.G.Resistor	1kΩ, 1/10W	C129	NCB31HK-103AY	Cer.Capacitor	0.01uF,50V
R921	NRSA02J-102NY	M.G.Resistor	1kΩ, 1/10W	C130	QER51CM-476	E.Capacitor	47uF,16V
△ R922	J46567-2801	M.G.Resistor	2.8kΩ, 1/10W	C131	QER51CM-476	E.Capacitor	47uF,16V
△ R923	J46567-1001	M.G.Resistor	1kΩ, 1/10W	C132	QER51CM-476	E.Capacitor	47uF,16V
R924	NRSA02J-102NY	M.G.Resistor	1kΩ, 1/10W	C133	QER51CM-476	E.Capacitor	47uF,16V
△ R926	J46567-1101	M.G.Resistor	1.1kΩ, 1/10W	C134	QER51CM-476	E.Capacitor	47uF,16V
△ R927	J46567-1001	M.G.Resistor	1kΩ, 1/10W	C136	QER51CM-106G	E.Capacitor	10uF,16V
△ R928	J46568-331	M.G.Resistor	330Ω, 1/4W	C137	QER51CM-106G	E.Capacitor	10uF,16V
△ RF401	J46579-100	FuseResistor	10Ω	C138	QER51CM-106G	E.Capacitor	10uF,16V
△ RF402	J46579-100	FuseResistor	10Ω	C140	QETB1AM-107	E.Capacitor	100uF,10V
△ RF1	J46579-100	FuseResistor	10Ω	C141	QER51CM-476	E.Capacitor	47uF,16V
VR101	JVPC602-331	Trim.Resistor	φ6, 330Ω	C142	QETB1AM-107	E.Capacitor	100uF,10V
VR102	JVPC602-331	Trim.Resistor	φ6, 330Ω	C143	QETB1AM-107	E.Capacitor	100uF,10V
C1	J46973-104	Cer.Capacitor	0.1uF,25V	C145	QETB1AM-107	E.Capacitor	100uF,10V
				C146	QER51CM-476	E.Capacitor	47uF,16V
				C147	QETB1AM-107	E.Capacitor	100uF,10V

△ Ref. No.	PartsNo.	PartsName,Description	△ Ref. No.	PartsNo.	PartsName,Description
C148	QER51CM-107	E.Capacitor 100uF,16V	C405	QER51CM-476	E.Capacitor 47uF,16V
C149	QER51CM-107	E.Capacitor 100uF,16V	C406	QER51CM-476	E.Capacitor 47uF,16V
C150	NCB31HK-103AY	Cer.Capacitor 0.01uF,50V	C407	QETB1AM-107	E.Capacitor 100uF,10V
C151	NCB31HK-103AY	Cer.Capacitor 0.01uF,50V	C408	QETB1AM-107	E.Capacitor 100uF,10V
C152	QETB1CM-108	E.Capacitor 1000uF,16V	C409	QETB1AM-107	E.Capacitor 100uF,10V
C153	QETB1AM-107	E.Capacitor 100uF,10V	C410	J46974-105	Cer.Capacitor 1uF
C154	QETB1AM-107	E.Capacitor 100uF,10V	C411	J46974-105	Cer.Capacitor 1uF
C155	QETB1AM-107	E.Capacitor 100uF,10V	C412	QETB1AM-107	E.Capacitor 100uF,10V
C156	QETB1CM-108	E.Capacitor 1000uF,16V	C413	QETB1AM-107	E.Capacitor 100uF,10V
C157	QER51CM-107	E.Capacitor 100uF,16V	C414	QETB1AM-107	E.Capacitor 100uF,10V
C159	QER51CM-107	E.Capacitor 100uF,16V	C415	QETB1AM-107	E.Capacitor 100uF,10V
C160	QER51CM-476	E.Capacitor 47uF,16V	C416	QETB1AM-107	E.Capacitor 100uF,10V
C161	QER51CM-476	E.Capacitor 47uF,16V	C417	QER51CM-107	E.Capacitor 100uF,16V
C162	QETB0JM-108	E.Capacitor 1000uF,6.3V	C418	QETB1AM-107	E.Capacitor 100uF,10V
C163	QER51CM-107	E.Capacitor 100uF,16V	C419	QETB1AM-107	E.Capacitor 100uF,10V
C164	QER51CM-476	E.Capacitor 47uF,16V	C425	NCT06CH-3R0AY	Cer.Capacitor 3pF,50V
C165	QER51CM-476	E.Capacitor 47uF,16V	C426	NCT06CH-3R0AY	Cer.Capacitor 3pF,50V
C167	NCB31HK-103AY	Cer.Capacitor 0.01uF,50V	C427	NCT06CH-3R0AY	Cer.Capacitor 3pF,50V
C168	NCB31HK-103AY	Cer.Capacitor 0.01uF,50V	C428	QETB1AM-107	E.Capacitor 100uF,10V
C169	NCB31HK-103AY	Cer.Capacitor 0.01uF,50V	C811	NCT06CH-220AY	Cer.Capacitor 22pF,50V
C170	NCB31HK-103AY	Cer.Capacitor 0.01uF,50V	C812	NCT06CH-220AY	Cer.Capacitor 22pF,50V
C171	NCB31HK-103AY	Cer.Capacitor 0.01uF,50V	C813	NCT06CH-220AY	Cer.Capacitor 22pF,50V
C172	NCB31HK-103AY	Cer.Capacitor 0.01uF,50V	C814	NCT06CH-220AY	Cer.Capacitor 22pF,50V
C175	NCT06CH-470AY	Cer.Capacitor 47pF,50V	C815	NCT06CH-220AY	Cer.Capacitor 22pF,50V
C176	NCT06CH-470AY	Cer.Capacitor 47pF,50V	C816	NCT06CH-220AY	Cer.Capacitor 22pF,50V
C183	NCT06CH-561AY	Cer.Capacitor 560pF,50V	C817	NCT06CH-220AY	Cer.Capacitor 22pF,50V
C184	NCT06CH-561AY	Cer.Capacitor 560pF,50V	C818	NCT06CH-220AY	Cer.Capacitor 22pF,50V
C187	NCB31HK-103AY	Cer.Capacitor 0.01uF,50V	C819	NCT06CH-220AY	Cer.Capacitor 22pF,50V
C189	NCB31HK-103AY	Cer.Capacitor 0.01uF,50V	C820	NCT06CH-220AY	Cer.Capacitor 22pF,50V
C193	NCB31HK-103AY	Cer.Capacitor 0.01uF,50V	C821	NCT06CH-561AY	Cer.Capacitor 560pF,50V
C195	NCB31HK-103AY	Cer.Capacitor 0.01uF,50V	C822	NCT06CH-561AY	Cer.Capacitor 560pF,50V
C196	QER51CM-476	E.Capacitor 47uF,16V	C824	QER51CM-106G	E.Capacitor 10uF,16V
C197	QETB1CM-226	E.Capacitor 22uF,16V	C825	QER51CM-106G	E.Capacitor 10uF,16V
C198	QETB1CM-226	E.Capacitor 22uF,16V	C838	QETB1AM-107	E.Capacitor 100uF,10V
C199	QETB1AM-107	E.Capacitor 100uF,10V	C839	QETB1AM-107	E.Capacitor 100uF,10V
C200	QETB1AM-107	E.Capacitor 100uF,10V	C840	QETB1AM-107	E.Capacitor 100uF,10V
C201	QETB1AM-107	E.Capacitor 100uF,10V	C841	QETB1AM-107	E.Capacitor 100uF,10V
C204	QETB1AM-107	E.Capacitor 100uF,10V	C843	QETB1AM-107	E.Capacitor 100uF,10V
C205	QETB1AM-107	E.Capacitor 100uF,10V	C844	QETB1AM-107	E.Capacitor 100uF,10V
C206	QETB1AM-107	E.Capacitor 100uF,10V	C845	QETB1AM-107	E.Capacitor 100uF,10V
C207	QETB1AM-107	E.Capacitor 100uF,10V	C846	QETB1AM-107	E.Capacitor 100uF,10V
C210	QETB1AM-107	E.Capacitor 100uF,10V	C848	QER51CM-106G	E.Capacitor 10uF,16V
C211	QER51CM-107	E.Capacitor 100uF,16V	C849	QER51CM-106G	E.Capacitor 10uF,16V
C213	NCT06CH-6R0AY	Cer.Capacitor 6pF,50V	C850	QER51CM-106G	E.Capacitor 10uF,16V
C214	NCT06CH-6R0AY	Cer.Capacitor 6pF,50V	C851	QER51CM-106G	E.Capacitor 10uF,16V
C215	NCT06CH-6R0AY	Cer.Capacitor 6pF,50V	C852	QER51CM-106G	E.Capacitor 10uF,16V
C216	NCT06CH-6R0AY	Cer.Capacitor 6pF,50V	C853	QER51CM-106G	E.Capacitor 10uF,16V
C217	QER51CM-107	E.Capacitor 100uF,16V	C854	QER51CM-106G	E.Capacitor 10uF,16V
C218	QER51CM-107	E.Capacitor 100uF,16V	C855	QER51CM-106G	E.Capacitor 10uF,16V
C219	QER51CM-107	E.Capacitor 100uF,16V	C856	QER51CM-106G	E.Capacitor 10uF,16V
C220	QER51CM-107	E.Capacitor 100uF,16V	C857	QER51CM-106G	E.Capacitor 10uF,16V
C221	QER51CM-107	E.Capacitor 100uF,16V	C858	QER51CM-106G	E.Capacitor 10uF,16V
C222	QER51CM-107	E.Capacitor 100uF,16V	C859	QER51CM-106G	E.Capacitor 10uF,16V
C223	QETB1AM-478	E.Capacitor 4700uF,10V	C860	NCB31HK-102AY	Cer.Capacitor 0.001uF,50V
C401	QER51CM-476	E.Capacitor 47uF,16V	C861	NCB31HK-102AY	Cer.Capacitor 0.001uF,50V
C402	QER51CM-476	E.Capacitor 47uF,16V	C862	NCB31HK-102AY	Cer.Capacitor 0.001uF,50V
C403	QER51CM-476	E.Capacitor 47uF,16V	C863	NCB31HK-102AY	Cer.Capacitor 0.001uF,50V
C404	QER51CM-476	E.Capacitor 47uF,16V	C864	QETB1CM-108	E.Capacitor 1000uF,16V
			C865	QETB1CM-108	E.Capacitor 1000uF,16V

△ Ref. No.	PartsNo.	PartsName,Description	△ Ref. No.	PartsNo.	PartsName,Description
△ C901	J46829-104	FilmCapacitor 0.1uF,AC250V	CN1	J45085-001	P.W.B.Connector
△ C902	J46829-104	FilmCapacitor 0.1uF,AC250V	CN3	JNV7S14-8001	P.W.B.Connector
△ C903	J46578-157	E.Capacitor 150uF,200V	CN804	J44705-005	P.W.B.Connector
△ C904	QCZ0115-102A	Cer.Capacitor 1000pF,1kV	CN811	J45081-001	P.W.B.Connector
△ C905	NCB31HK-103AY	Cer.Capacitor 0.01uF,50V	△ CN901	JMV5S02-9001	P.W.B.Connector
△ C906	NCT06CH-471AY	Cer.Capacitor 470pF,50V		JWS0108-0412	Conn.WireAssy For CN805
△ C907	NCB31HK-103AY	Cer.Capacitor 0.01uF,50V		JWS0108-0412	Conn.WireAssy For CN806
△ C908	J46945-108	E.Capacitor 1000uF,16V		JWS0110-0312	Conn.WireAssy For CN812
△ C909	J46945-108	E.Capacitor 1000uF,16V		JWS0110-0312	Conn.WireAssy For CN813
△ C910	QER51CM-106G	E.Capacitor 10uF,16V		J46947-001	Clamp
△ C911	J46574-477	E.Capacitor 470uF,10V		J46589-001	HeatSink For Q901
△ C912	J46574-477	E.Capacitor 470uF,10V		J46589-001	HeatSink For Q904
△ C913	QER51CM-107	E.Capacitor 100uF,16V		J46589-001	HeatSink For Q905
△ C914	QER51CM-107	E.Capacitor 100uF,16V			
△ C915	QER51CM-107	E.Capacitor 100uF,16V			
△ C916	QEGL1HM-225	E.Capacitor 2.2uF,50V			
△ C917	QER51CM-107	E.Capacitor 100uF,16V			
△ C918	QER51CM-107	E.Capacitor 100uF,16V			
△ C919	QCZ9031-222U	Cer.Capacitor 2200pF,AC400V			
△ C920	QER51CM-107	E.Capacitor 100uF,16V			
△ C921	QER51CM-107	E.Capacitor 100uF,16V			
L102	JQL6017-1R0K	Inductor 1uH			
L103	JQL6017-1R0K	Inductor 1uH			
△ L901	JQL1219-253	LineFilter			
△ L902	J46582-001	Inductor			
△ L903	JQL2020-100K	Inductor 10uH			
△ L904	JQL2020-100K	Inductor 10uH			
M101	J46729-002	Y.CModule TDK			
M102	J46729-002	Y.CModule TDK			
△ PC901	J46587-001	PhotoCoupler NEC			
△ VD901	J46586-001	Barister			
△ F901	J46830-001	Fuse 1A 125V			
△ for F901	J46595-001	FuseClip			
△ T901	J46831-001	SwitchingTrans			
X1	JXC0004-000KH	X-TAL TDK			
PJ101	J46916-001	PinJack 1P YELLOW			
PJ102	J46916-001	PinJack 1P YELLOW			
PJ103	J46916-001	PinJack 1P YELLOW			
PJ104	J46916-001	PinJack 1P YELLOW			
PJ106	J46916-001	PinJack 1P YELLOW			
PJ107	J46914-001	MiniConnector 1P			
PJ108	J46914-001	MiniConnector 1P			
PJ110	J46914-001	MiniConnector 1P			
PJ111	J46914-001	MiniConnector 1P			
PJ112	J46915-001	MiniConnector 1P			
PJ113	J46915-001	MiniConnector 1P			
PJ115	J46915-001	MiniConnector 1P			
PJ116	J46915-001	MiniConnector 1P			
PJ401	JMN0YV0-1065G	PinJack 1P GREEN			
PJ402	JMN0YV0-1065G	PinJack 1P GREEN			
PJ403	JMN0YV0-1065G	PinJack 1P GREEN			
PJ405	JMN0TV0-201NG	PinJack 2P RED/BLUE			
PJ406	JMN0TV0-201NG	PinJack 2P RED/BLUE			
PJ407	JMN0TV0-201NG	PinJack 2P RED/BLUE			

FRONT 1/FRONT 2/AUDIO 1/AUDIO 2 PCB Ass'y

△ Ref. No.	PartsNo.	PartsName,Description		△ Ref. No.	PartsNo.	PartsName,Description	
PWBA	J33650-001	Sub Board Assembly The part will not be supplied as an assembly.		R841	NRSA02J-561NY	M.G.Resistor	560W,1/10W
IC701	GP1U261R	IC	SHARP	R842	NRSA02J-561NY	M.G.Resistor	560W,1/10W
OPT401	GP1F32R	OpticalJack	SHARP	R843	NRSA02J-561NY	M.G.Resistor	560W,1/10W
OPT402	GP1F32R	OpticalJack	SHARP	R844	NRSA02J-561NY	M.G.Resistor	560W,1/10W
OPT403	GP1F32T	OpticalJack	SHARP	C422	QER51CM-106G	E.Capacitor	10uF,16V
D701	1SS120	Diode	HITACHI	C429	QER51CM-106G	E.Capacitor	10uF,16V
D702	1SS120	Diode	HITACHI	C430	QER51CM-106G	E.Capacitor	10uF,16V
D703	1SS120	Diode	HITACHI	C701	QEPA1CM-106	E.Capacitor	10uF,16V
D704	1SS120	Diode	HITACHI	C801	QER51CM-106G	E.Capacitor	10uF,16V
D705	1SS120	Diode	HITACHI	C802	QER51CM-106G	E.Capacitor	10uF,16V
D706	1SS120	Diode	HITACHI	C803	QER51CM-106G	E.Capacitor	10uF,16V
D707	GL5HD41	LED	SHARP(RED)	C804	QER51CM-106G	E.Capacitor	10uF,16V
D708	GL5HD41	LED	SHARP(RED)	C805	QER51CM-106G	E.Capacitor	10uF,16V
D709	GL5HD41	LED	SHARP(RED)	C806	QER51CM-106G	E.Capacitor	10uF,16V
D710	GL5HD41	LED	SHARP(RED)	C807	QER51CM-106G	E.Capacitor	10uF,16V
D711	GL5HD41	LED	SHARP(RED)	C808	QER51CM-106G	E.Capacitor	10uF,16V
D712	GL5ZE43	LED	SHARP(GREEN)	C826	QER51CM-106G	E.Capacitor	10uF,16V
D713	GL5ZE43	LED	SHARP(GREEN)	C827	QER51CM-106G	E.Capacitor	10uF,16V
D714	GL8KG21	LED	SHARP(GREEN)	C828	QER51CM-106G	E.Capacitor	10uF,16V
D715	GL8KG21	LED	SHARP(GREEN)	C829	QER51CM-106G	E.Capacitor	10uF,16V
D716	GL8PR21	LED	SHARP(RED)	C830	QER51CM-106G	E.Capacitor	10uF,16V
Q701	2SC3052	Transistor	MITSUBISHI	C831	QER51CM-106G	E.Capacitor	10uF,16V
Q702	2SC3052	Transistor	MITSUBISHI	C832	QER51CM-106G	E.Capacitor	10uF,16V
Q703	2SC3052	Transistor	MITSUBISHI	C833	QER51CM-106G	E.Capacitor	10uF,16V
Q704	DTC124EK	Digital Transistor	ROHM	C834	QER51CM-106G	E.Capacitor	10uF,16V
Q705	DTC124EK	Digital Transistor	ROHM	C835	QER51CM-106G	E.Capacitor	10uF,16V
Q706	DTC124EK	Digital Transistor	ROHM	PJ801	J46913-001	Pin Jack	2P
Q707	DTA124EK	Digital Transistor	ROHM	PJ802	J46913-001	Pin Jack	2P
R701	NRSA02J-391NY	M.G.Resistor	390W,1/10W	PJ803	J46913-001	Pin Jack	2P
R702	NRSA02J-391NY	M.G.Resistor	390W,1/10W	PJ804	J46913-001	Pin Jack	2P
R703	NRSA02J-391NY	M.G.Resistor	390W,1/10W	PJ807	J46913-001	Pin Jack	2P
R704	NRSA02J-391NY	M.G.Resistor	390W,1/10W	PJ808	J46913-001	Pin Jack	2P
R705	NRSA02J-391NY	M.G.Resistor	390W,1/10W	PJ809	J46913-001	Pin Jack	2P
R706	NRSA02J-301NY	M.G.Resistor	300W,1/10W	PJ810	J46913-001	Pin Jack	2P
R707	NRSA02J-821NY	M.G.Resistor	820W,1/10W	PJ811	J46913-001	Pin Jack	2P
R708	NRSA02J-561NY	M.G.Resistor	560W,1/10W	SW701	JSQ1A23-J01	Tact Switch	
R709	NRSA02J-331NY	M.G.Resistor	330W,1/10W	SW702	JSQ1A23-J01	Tact Switch	
R710	NRSA02J-561NY	M.G.Resistor	560W,1/10W	SW703	JSQ1A23-J01	Tact Switch	
R801	NRSA02J-473NY	M.G.Resistor	47kW,1/10W	SW704	JSQ1A23-J01	Tact Switch	
R802	NRSA02J-473NY	M.G.Resistor	47kW,1/10W	SW705	JSQ1A23-J01	Tact Switch	
R803	NRSA02J-473NY	M.G.Resistor	47kW,1/10W	SW706	JSQ1A23-J01	Tact Switch	
R804	NRSA02J-473NY	M.G.Resistor	47kW,1/10W	SW707	JSQ1A23-J01	Tact Switch	
R805	NRSA02J-473NY	M.G.Resistor	47kW,1/10W	SW708	JSQ1A23-J01	Tact Switch	
R806	NRSA02J-473NY	M.G.Resistor	47kW,1/10W	CN701	JMV7S14-8001P	P.W.B. Connector	
R807	NRSA02J-473NY	M.G.Resistor	47kW,1/10W	CN807	J45564-001	P.W.B. Connector	
R808	NRSA02J-473NY	M.G.Resistor	47kW,1/10W	CN808	J45564-001	P.W.B. Connector	
R835	NRSA02J-561NY	M.G.Resistor	560W,1/10W	CN809	J44711-001	P.W.B. Connector	
R836	NRSA02J-561NY	M.G.Resistor	560W,1/10W	CN810	J44711-001	P.W.B. Connector	
R837	NRSA02J-561NY	M.G.Resistor	560W,1/10W	JWS0105-0312	Conn. Wire Assy	For CN702	
R838	NRSA02J-561NY	M.G.Resistor	560W,1/10W				
R839	NRSA02J-561NY	M.G.Resistor	560W,1/10W				
R840	NRSA02J-561NY	M.G.Resistor	560W,1/10W				

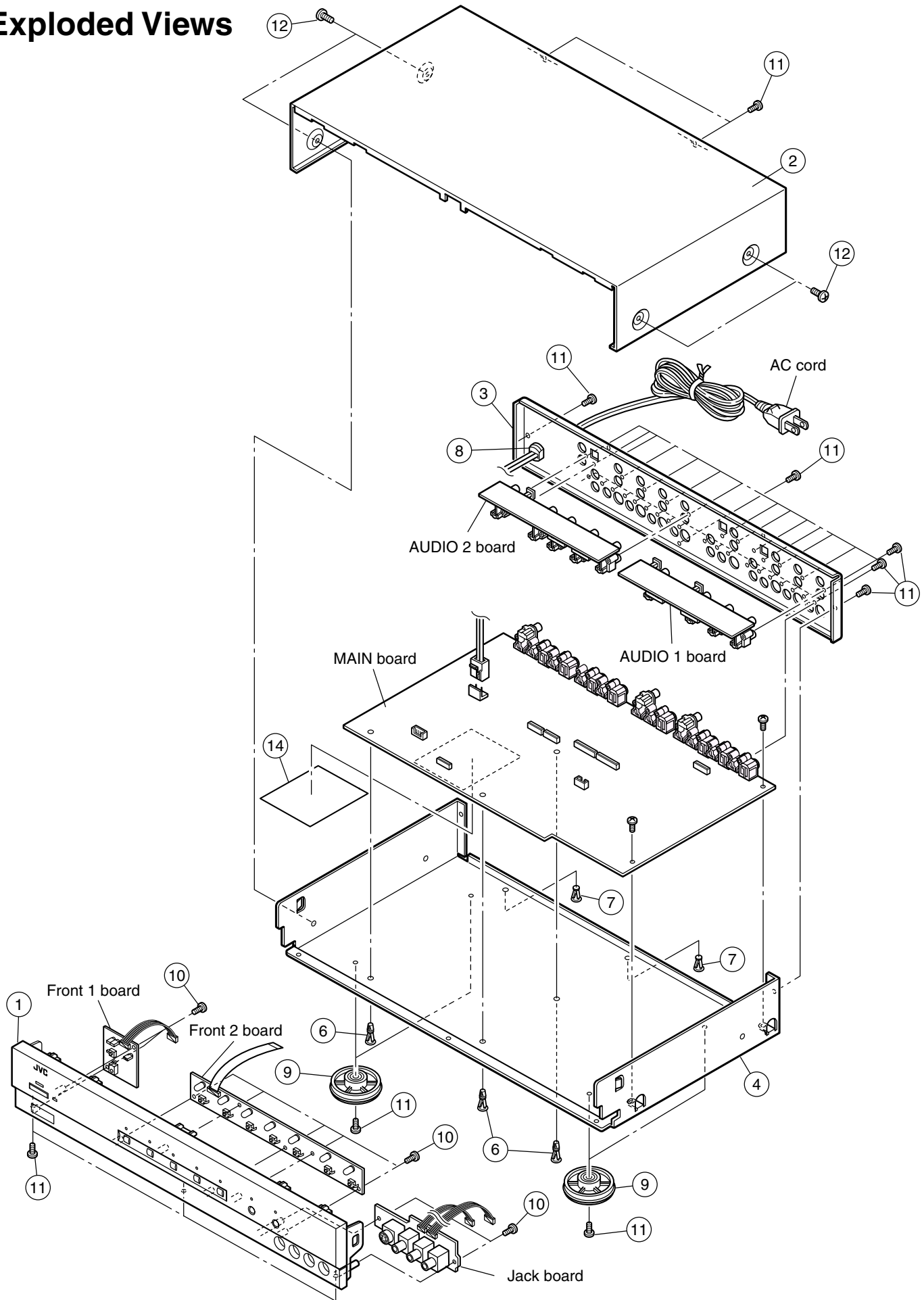
Jack P.W. Board Ass'y

WIRE

△ Ref. No.	PartsNo.	PartsName,Description		△ Ref. No.	PartsNo.	PartsName,Description	
PWBA	J33651-001	Jack Board Assembly The part will not be supplied as an assembly.		△	JWR1407-10BB J46972-001	Flat Wire AC Cord	For CN3,CN701
D105 D106	HZS7B2L HZS7B2L	Zener Diode Zener Diode	HITACHI HITACHI				
R711 R712 R713 R714 R715	NRSA02J-750NY NRSA02J-750NY NRSA02J-750NY NRSA02J-473NY NRSA02J-473NY	M.G.Resistor M.G.Resistor M.G.Resistor M.G.Resistor M.G.Resistor	75W,1/10W 75W,1/10W 75W,1/10W 47kW,1/10W 47kW,1/10W				
C105 C120 C135	QER51CM-476 NCB31HK-103AY QER51CM-476	E.Capacitor Cer.Capacitor E.Capacitor	47uF,16V 0.01uF,50V 47uF,16V				
PJ701 PJ702 PJ703 PJ704	JMN0YP0-1024G JMD04P0-1020G JMN0YP0-1042G JMN0YP0-1039G	Pin Jack Mini Connector Pin Jack Pin Jack	1P YELLOW 1P 1P RED 1P WHITE				
	JWS0106-0221 JWS0104-0415	Conn. Wire Assy Conn. Wire Assy	For CN101 For CN703				

* Parts marked (△) are safety parts. When replacing, be sure to use the specified one.

Exploded Views



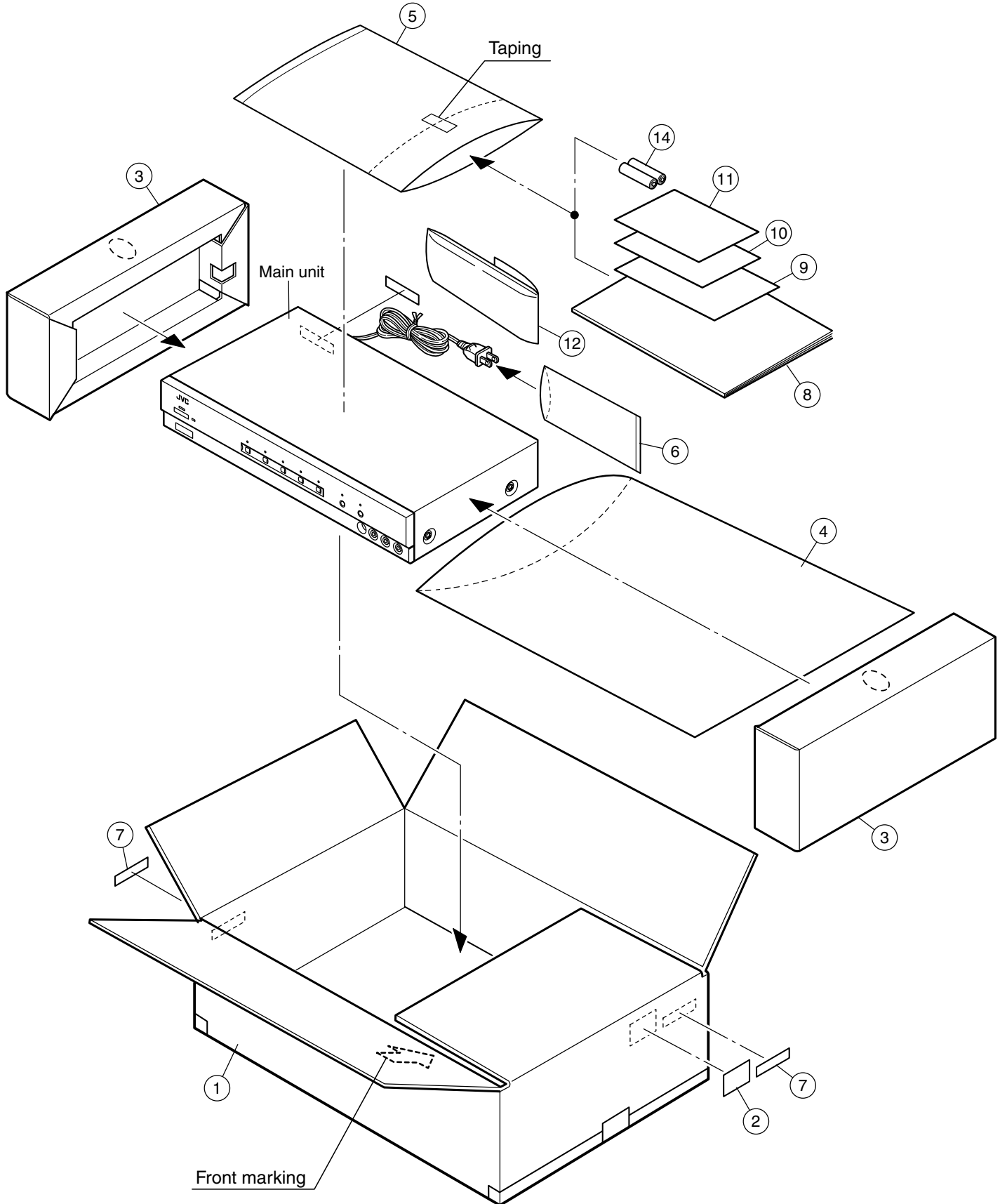
Mechanical Parts List

M	1	M	M				
---	---	---	---	--	--	--	--

△	ItemNo.	Parts No.	Parts Name	Qty	Remarks
	1	J11527-001SA	Front Panel Ass'y	1	
	2	J21104-002T	Top Cover	1	
	3	J33585-001	Rear Panel	1	
	4	J33523-002	Bottom Chassis	1	
	5	J46912-001	Spacer	3	Front 1 board, 2mm
	6	J44036-001	Locking Card Spacer	3	KGLS-8RT, Bottom chassis
	7	J46264-001	Board Spacer	2	KGPS-8RF, Main board
△	8	J46742-001	Cord Stopper	1	KF-41
	9	E74185-002	Foot	4	
	10	QYSPSF3008Z	Tapping Screw	9	Front 1 board, Front 2 board and Jack board
	11	SPSG3008MY	Tapping Screw	45	Rear panel, bottom chassis
	12	SXST4008M	Tapping Screw	4	Top cover
	13	QYSPSPL3008Z	Screw	3	Heat sink of power unit
△	14	J46960-001	Shield Sheet	1	Reverse side of main board

* Parts marked (△) are safety parts. When replacing, be sure to use the specified one.

Packing



Packing Materials

M	2	M	M				
---	---	---	---	--	--	--	--

△	ItemNo.	Parts No.	Parts Name	Q'ty	Remarks
	1	PK-JXS555J	Packing Case	1	J11520-002 (with POS Label)
	2	J44407-111	POS Label	1	046838352027
	3	J33586-001	Packing Pad	2	
	4	J33341-001	Envelope	1	For main unit
△	5	QPC02503530P	Envelope	1	For printed matters
	6	J46543-001	Envelope	1	For power cord
	7	J43109-001SA	Serial Label	3	Large x 2, small x 1

* Parts marked (△) are safety parts. When replacing, be sure to use the specified one.

Accessories List

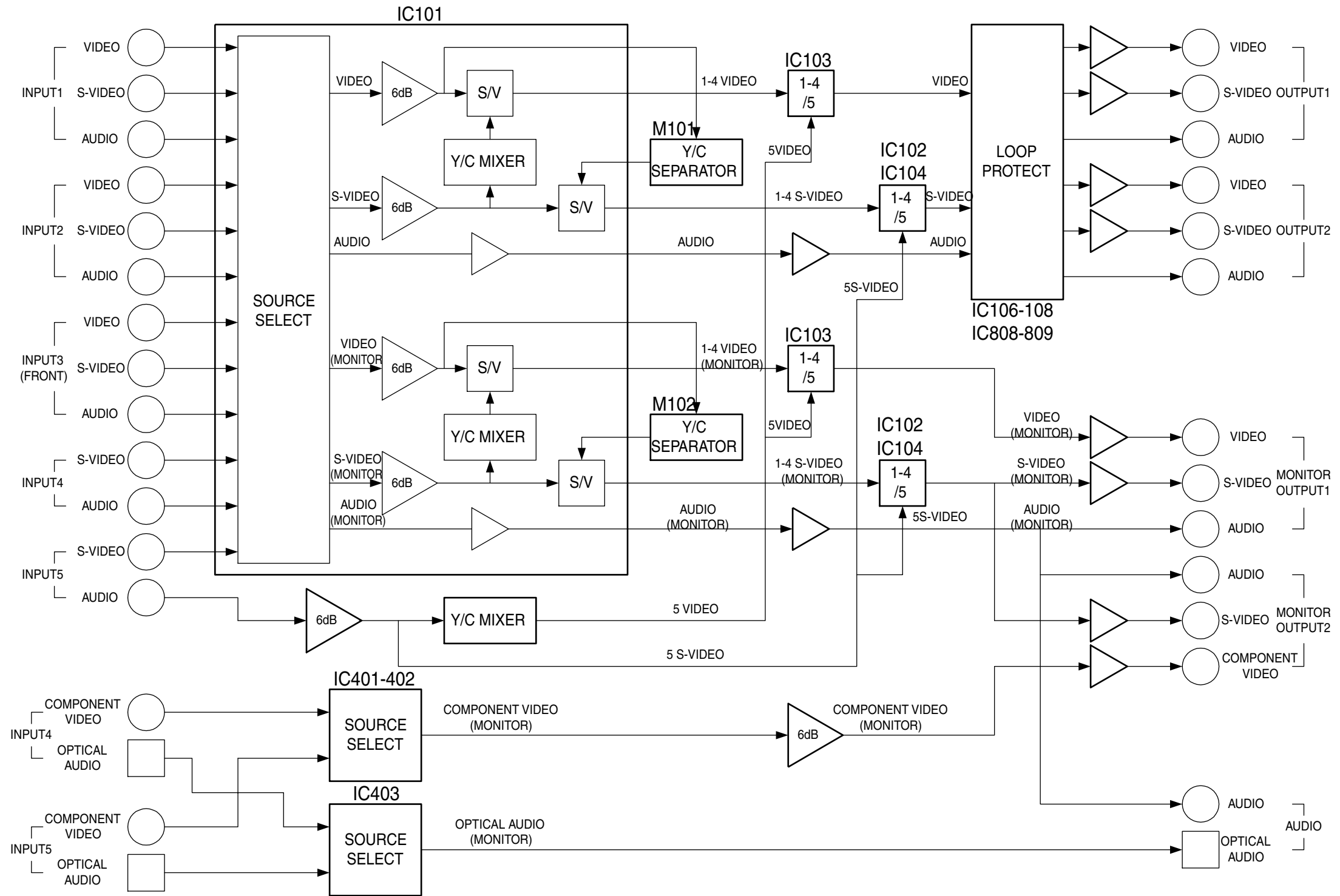
M	3	M	M				
---	---	---	---	--	--	--	--

△	ItemNo.	Parts No.	Parts Name	Q'ty	Remarks
△	8	J5500-105A	Instructions	1	English, French and Spanish
	9	BT-51005-4	Warranty Card	1	
	10	BT-51006-1	Registration Card	1	
	11	PU33941-3-3	JVC Safety Guide	1	
	12	RM-AJ555	Remote Control Unit	1	Enveloped with battery cover.
	13	J33017-002	Battery Cover	1	For RM-AJ555
	14		Battery	2	R6/AA

* Parts marked (△) are safety parts. When replacing, be sure to use the specified one.

— MEMO —

Block Diagrams

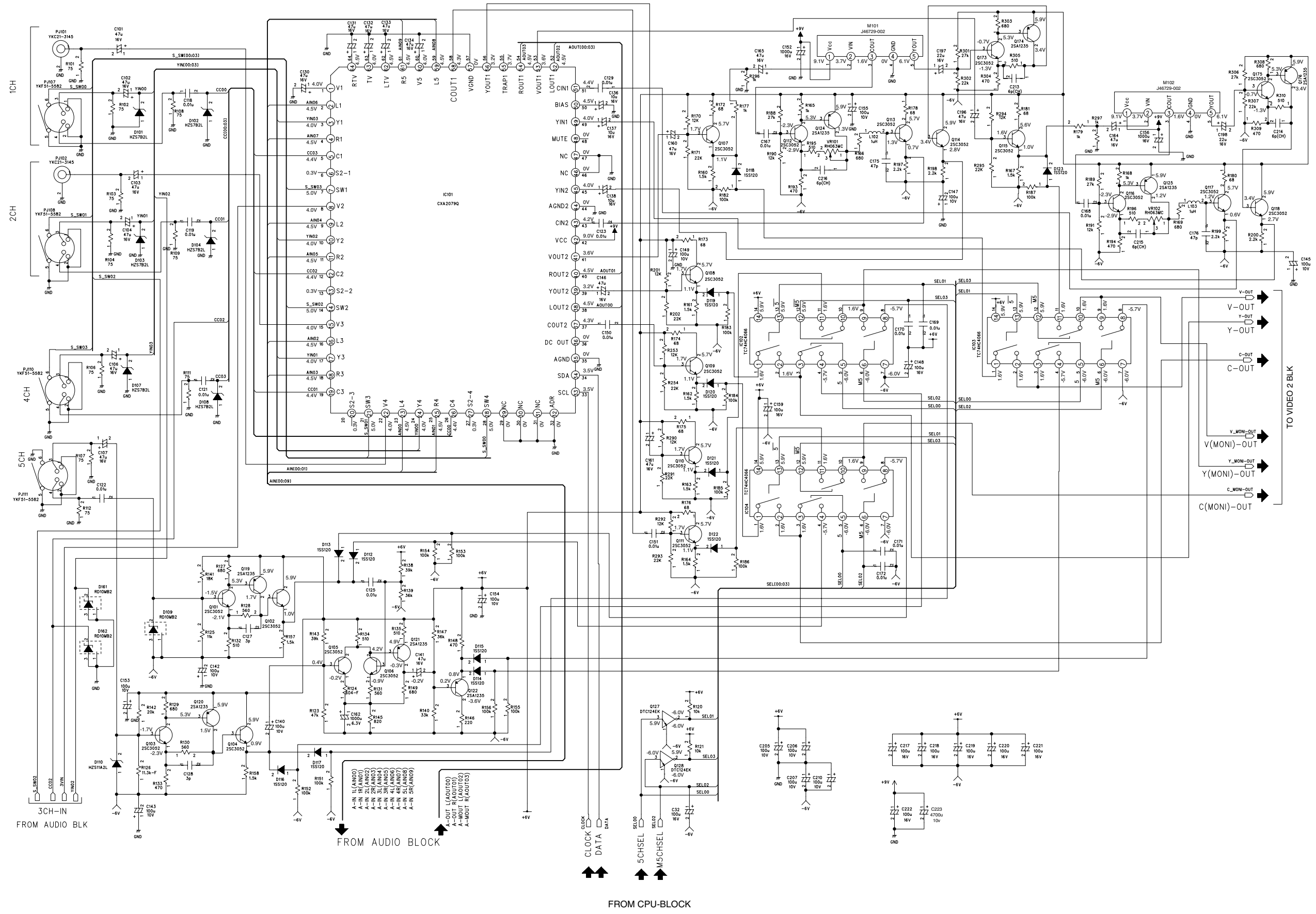


Schematic Diagrams

VIDEO 1 BLOCK

Notes on this schematic diagram

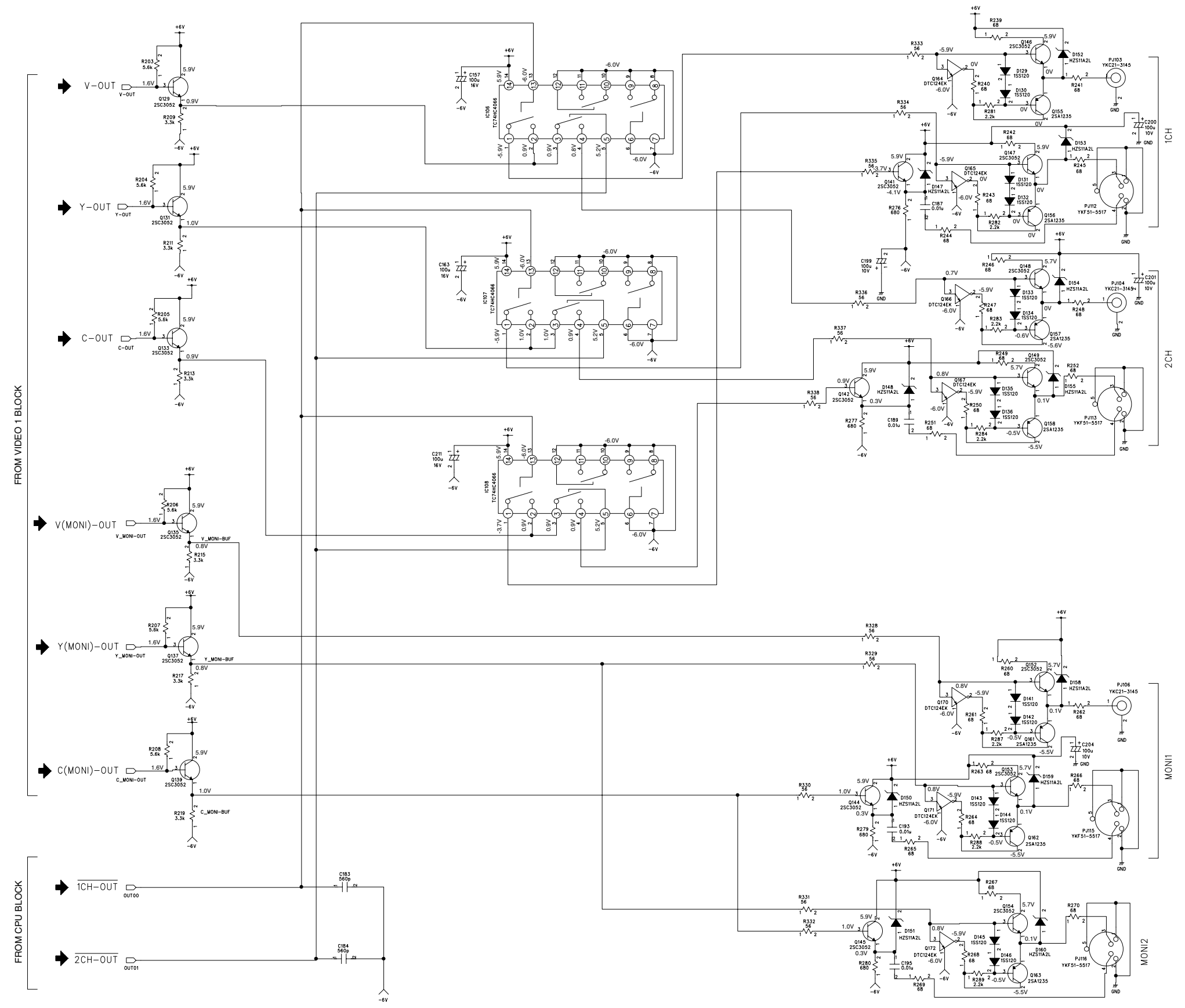
1. Values are voltages measured with a circuit tester (internal resistance: 20 kΩ/V) at respective points of the circuits with the power switch turned on.
2. The circuit diagram printed in this service manual is just a standard. The circuitry and circuit constants are subject to change for improvement without notice.



VIDEO 2 BLOCK

Notes on this schematic diagram

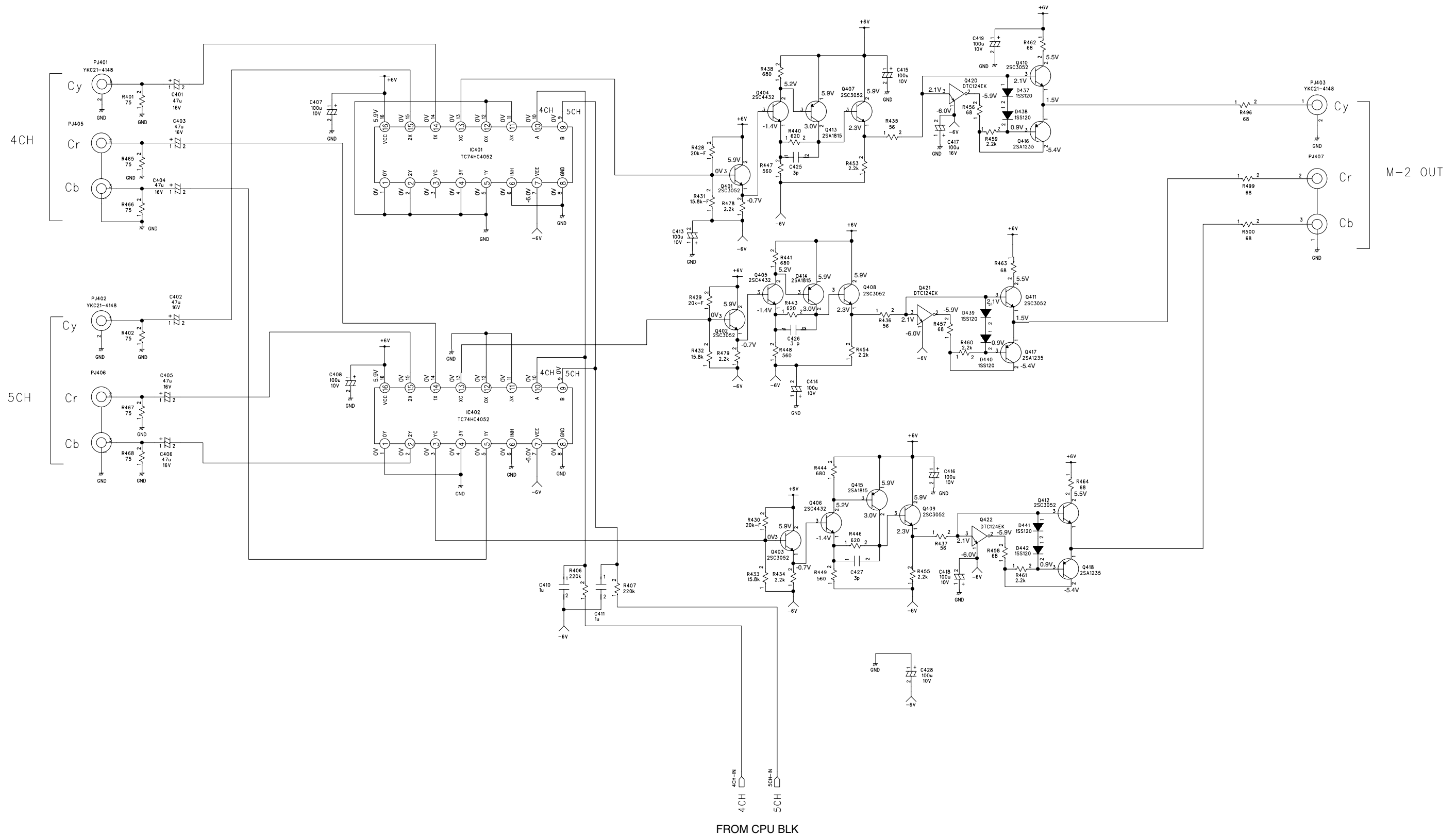
- Values are voltages measured with a circuit tester (internal resistance: 20 kΩ/V) at respective points of the circuits with the power switch turned on.
- The circuit diagram printed in this service manual is just a standard. The circuitry and circuit constants are subject to change for improvement without notice.



COMPONENT BLOCK

Notes on this schematic diagram

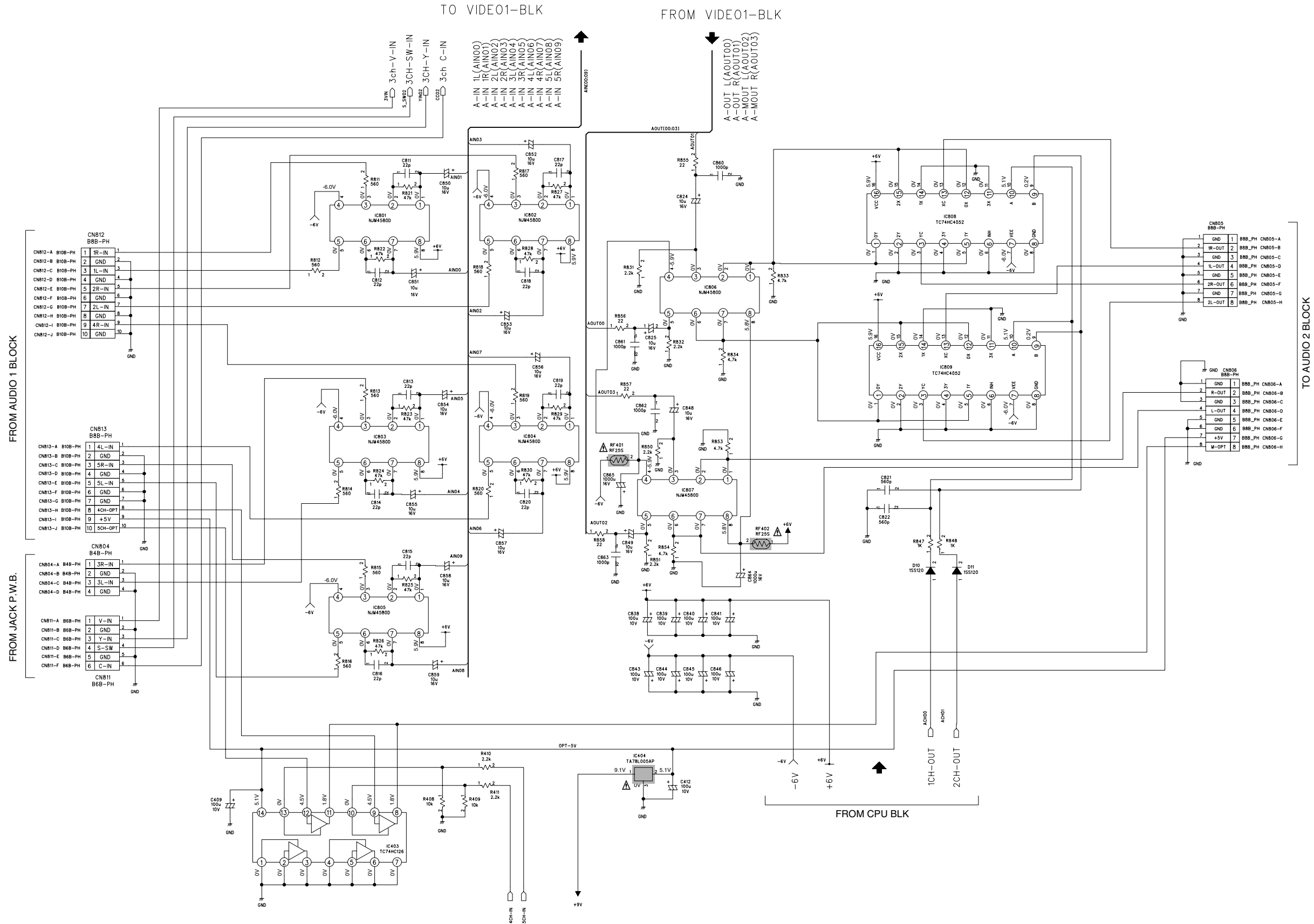
- 1. Values are voltages measured with a circuit tester (internal resistance: 20 kΩ/V) at respective points of the circuits with the power switch turned on.
- 2. The circuit diagram printed in this service manual is just a standard. The circuitry and circuit constants are subject to change for improvement without notice.



AUDIO BLOCK

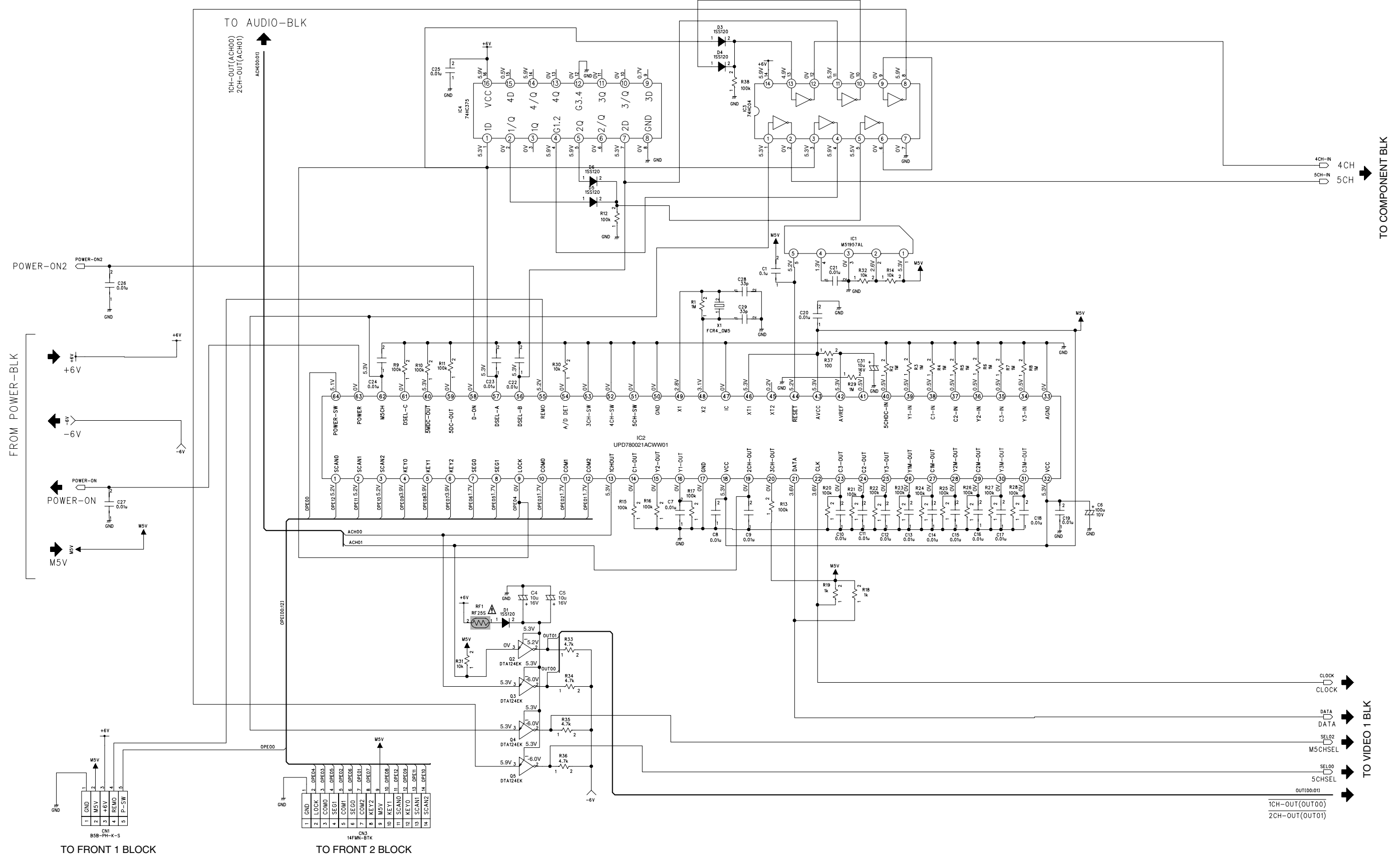
Notes on this schematic diagram

1. Values are voltages measured with a circuit tester (internal resistance: 20 kΩ/V) at respective points of the circuits with the power switch turned on.
2. The circuit diagram printed in this service manual is just a standard. The circuitry and circuit constants are subject to change for improvement without notice.
3. Parts marked with Δ (in the shaded \square area) are important as safety parts. When replacing them, make sure to use the specified parts to ensure safety.



CPU BLOCK

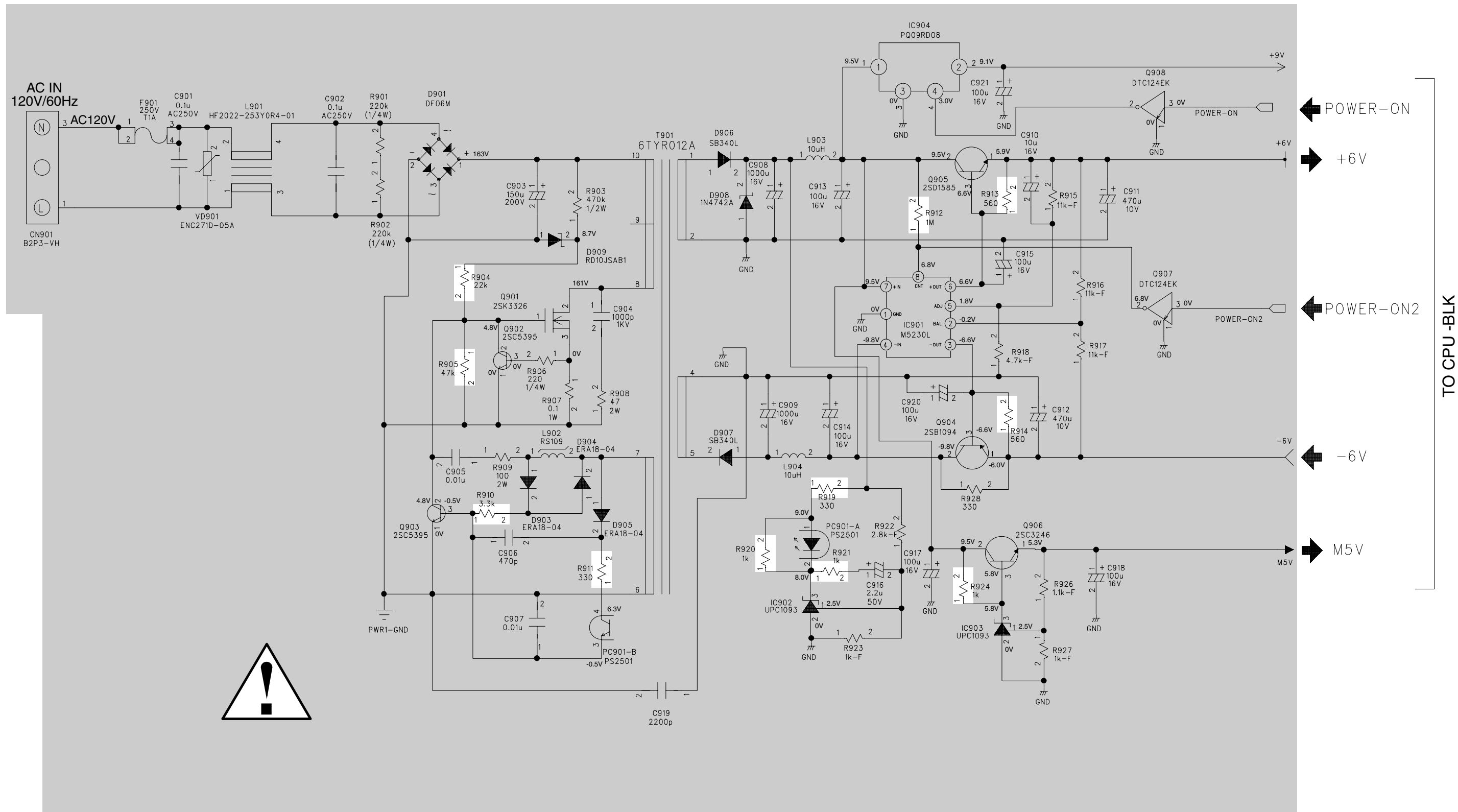
- Notes on this schematic diagram**
1. Values are voltages measured with a circuit tester (internal resistance: 20 kΩ/V) at respective points of the circuits with the power switch turned on.
 2. The circuit diagram printed in this service manual is just a standard. The circuitry and circuit constants are subject to change for improvement without notice.
 3. Parts marked with Δ (in the shaded area) are important as safety parts. When replacing them, make sure to use the specified parts to ensure safety.



■ POWER BLOCK

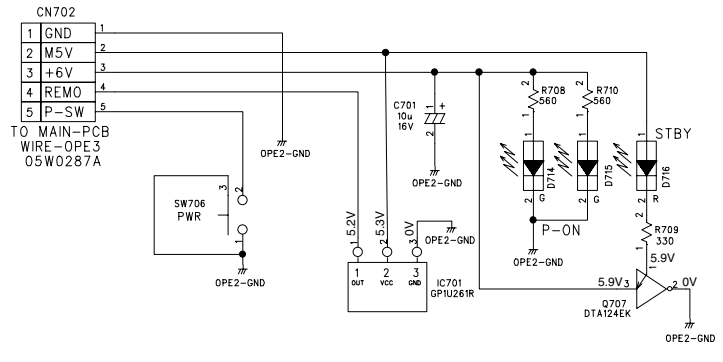
Notes on this schematic diagram

1. Values are voltages measured with a circuit tester (internal resistance: 20 kΩ/V) at respective points of the circuits with the power switch turned on.
2. The circuit diagram printed in this service manual is just a standard. The circuitry and circuit constants are subject to change for improvement without notice.
3. Parts marked with Δ (in the shaded area) are important as safety parts. When replacing them, make sure to use the specified parts to ensure safety.

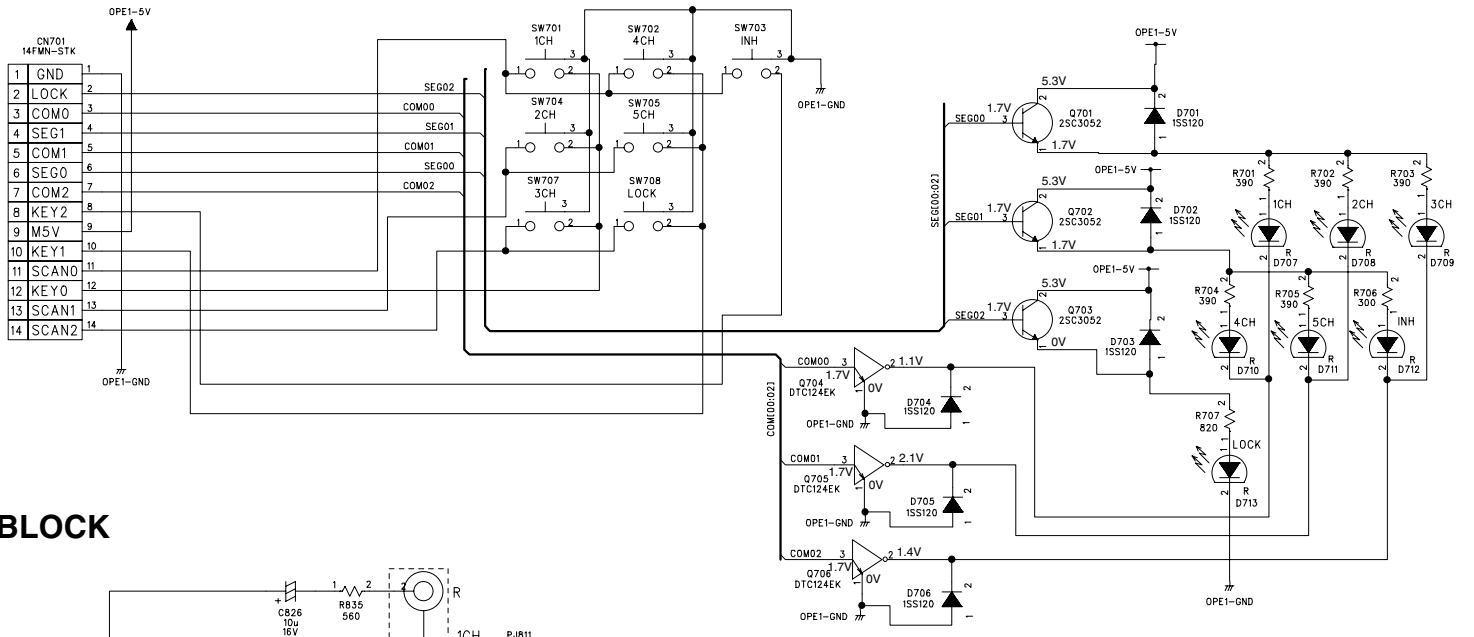


TO CPU-BLK

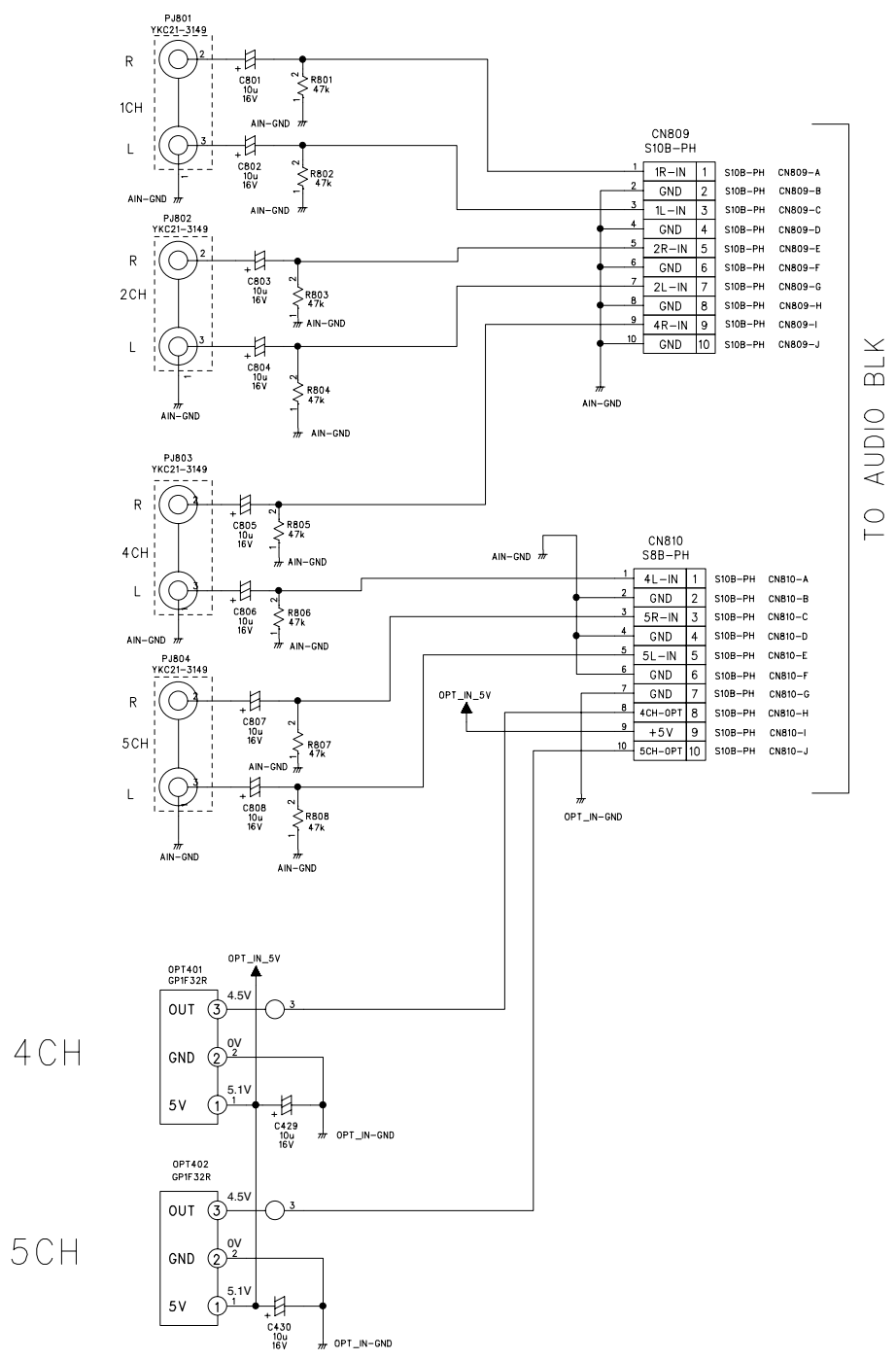
FRONT 1 BLOCK



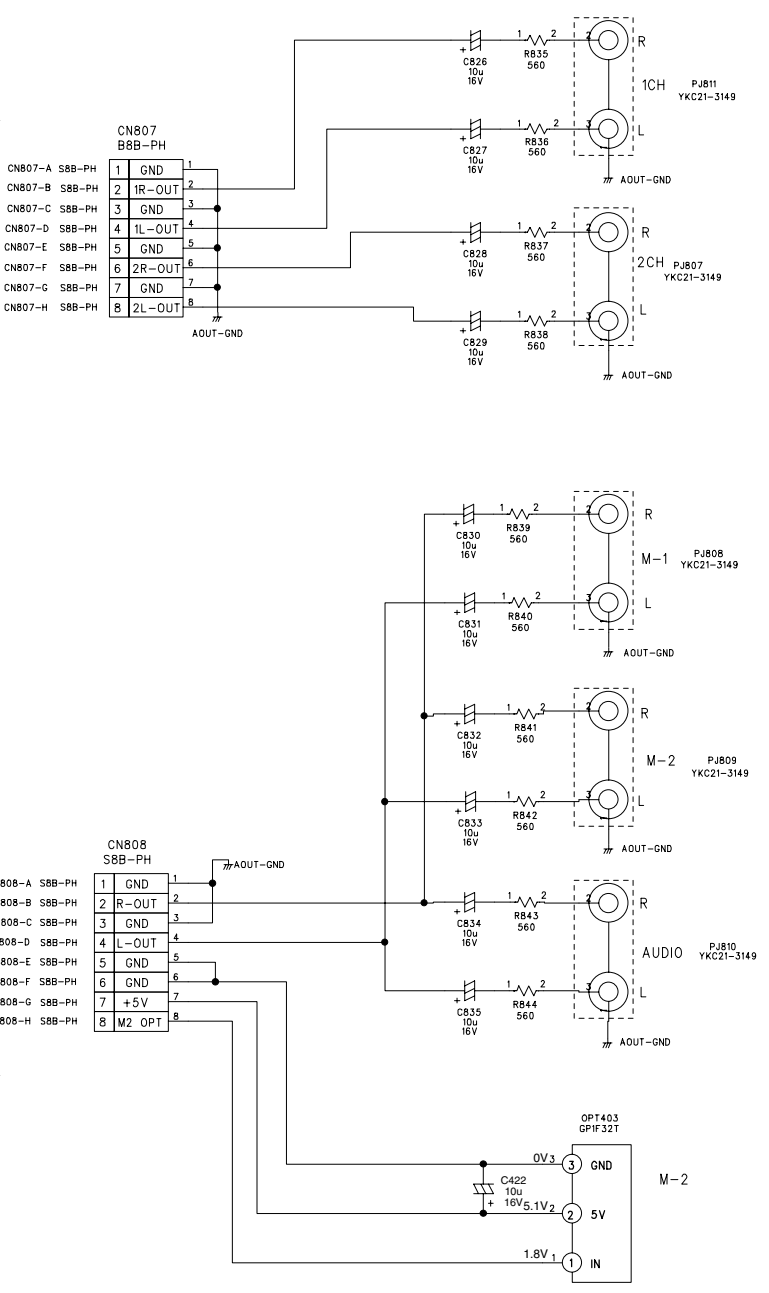
FRONT 2 BLOCK



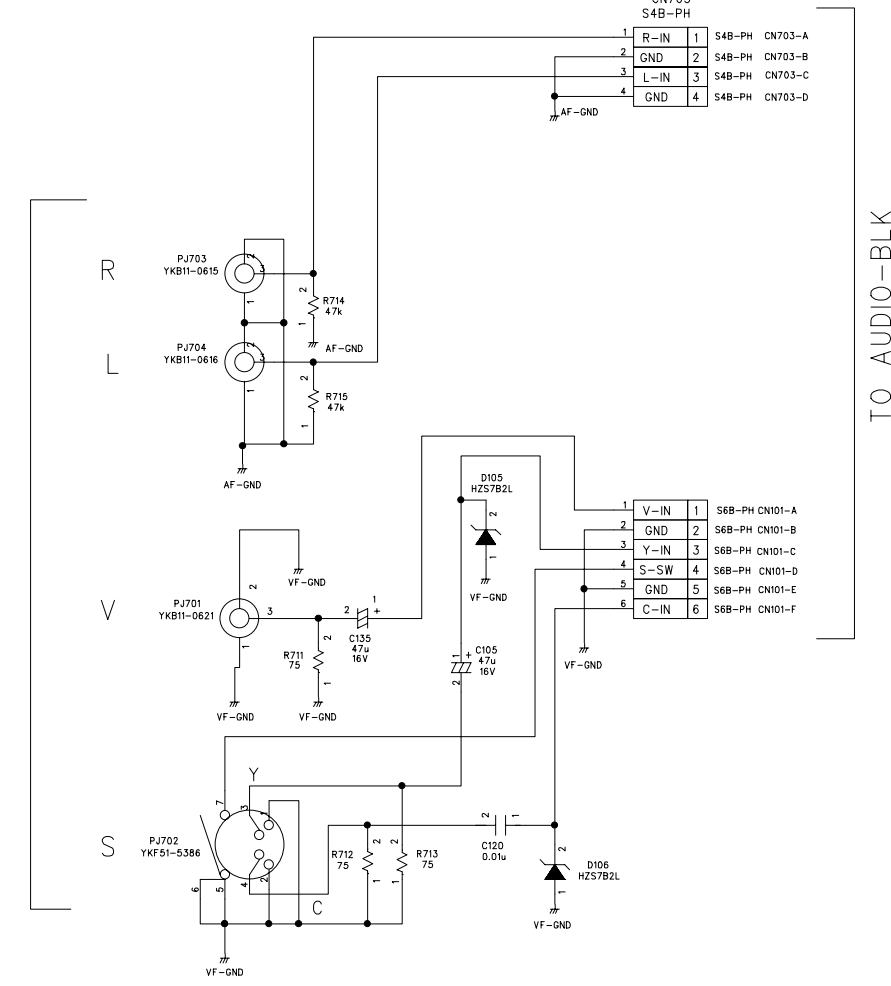
AUDIO 1 BLOCK



AUDIO 2 BLOCK



JACK P.W.B.



Circuit Boards

MAIN BOARD (J22026-001)

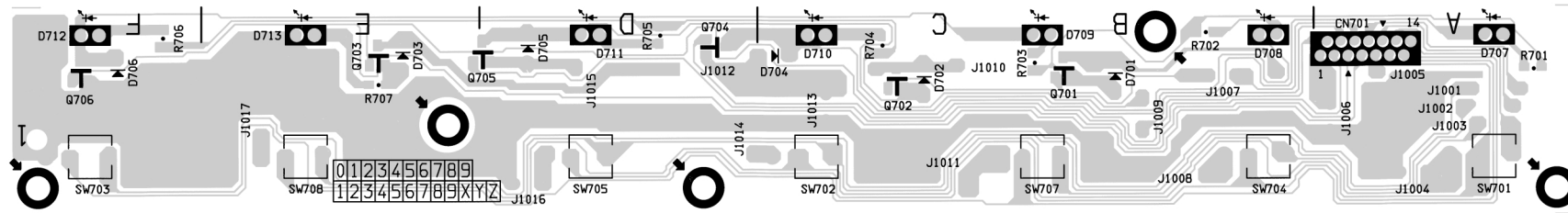


MAIN BOARD

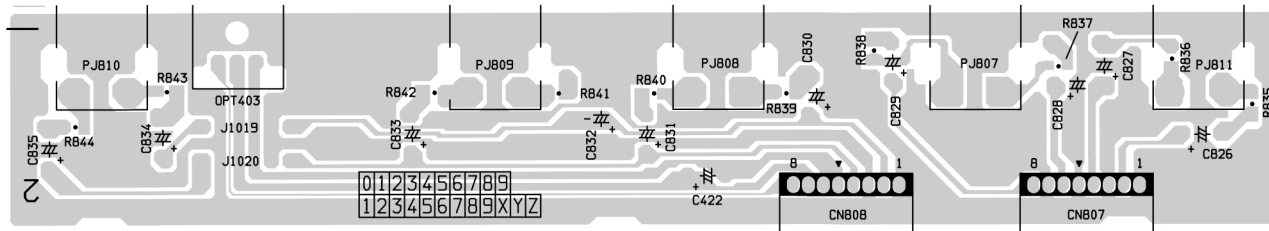
Table with columns for Symbol No., Address, and component details. Components include ICs (Q173-Q177, IC101-IC904), Transistors (Q101-Q172), Diodes (Q103-Q106), and various passive components (Resistor, Condenser, Others).

■ SUB BOARD (J33641-001)

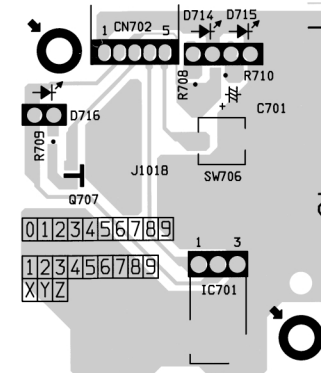
• FRONT 2 BOARD



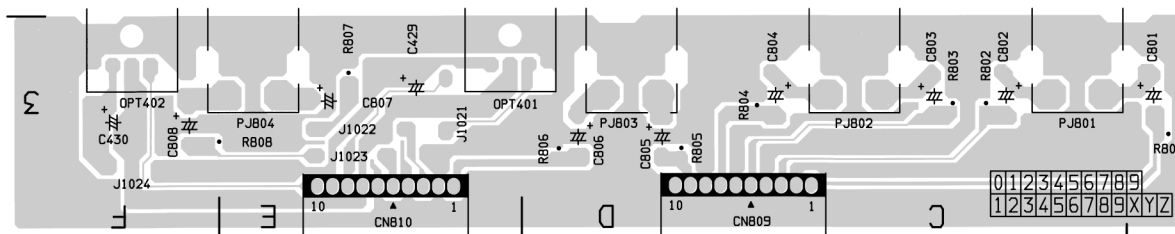
• AUDIO 2 BOARD



• FRONT 1 BOARD



• AUDIO 1 BOARD

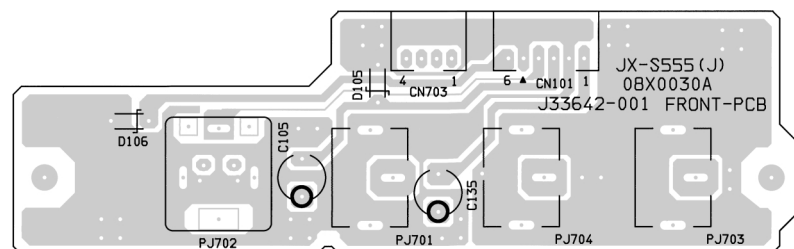


■ SUB BOARD

Symbol No.	Address	Others
IC		CN701 A1
		CN702 A2
		CN807 C2
IC701	A2	CN808 C2
		CN809 D3
		CN810 E3
Transistor		J1001 A1
		J1002 A1
Q701	B1	J1003 A1
Q702	C1	J1004 A1
Q703	E1	J1005 A1
Q704	D1	J1006 A1
Q705	D1	J1007 B1
Q706	F1	J1008 B1
Q707	A2	J1009 B1
		J1010 C1
Diode		J1011 C1
		J1012 C1
D701	B1	J1013 C1
D702	C1	J1014 D1
D703	E1	J1015 D1
D704	C1	J1016 D1
D705	D1	J1017 E1
D706	F1	J1018 A2
D707	A1	J1019 E2
D708	B1	J1020 E2
D709	B1	J1021 E3
D710	C1	J1022 E3
D711	D1	J1023 E3
D712	F1	J1024 F3
D713	E1	OPT401 E3
D714	A2	OPT402 F3
D715	A2	OPT403 E2
D716	B2	PJ801 C3
		PJ802 C3
Resistor		PJ803 D3
		PJ804 E3
R701	A1	PJ807 C2
R702	B1	PJ808 D2
R703	C1	PJ809 E2
R704	C1	PJ810 F2
R705	D1	SW701 A1
R706	F1	SW702 C1
R707	E1	SW703 F1
R708	A2	SW704 B1
R709	A2	SW705 D1
R710	A2	SW706 A2
R801	B3	SW707 B1
R802	C3	SW708 E1
R803	C3	
R804	D3	
R805	D3	
R806	D3	
R807	E3	
R808	F3	
R835	B2	
R836	B2	
R837	C2	
R838	C2	
R839	D2	
R840	D2	
R841	D2	
R842	E2	
R843	F2	
R844	F2	
Condenser		
C422	D2	
C429	E3	
C430	F3	
C701	A2	
C801	B3	
C802	C3	
C803	C3	
C804	D3	
C805	D3	
C806	D3	
C807	E3	
C808	F3	
C826	B2	
C827	C2	
C828	C2	
C829	C2	
C830	D2	
C831	D2	
C832	D2	
C833	E2	
C834	F2	
C835	F2	

■ JACK BOARD (J33642-001)

PARTS SIDE



SOLDER SIDE

